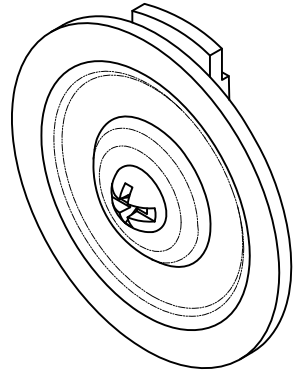
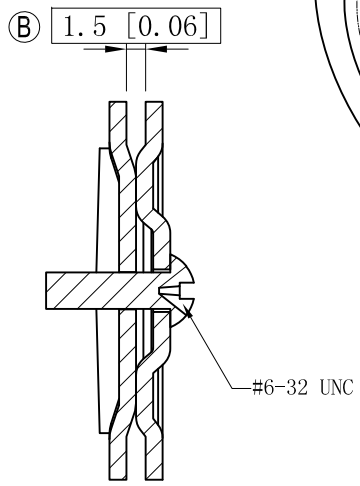
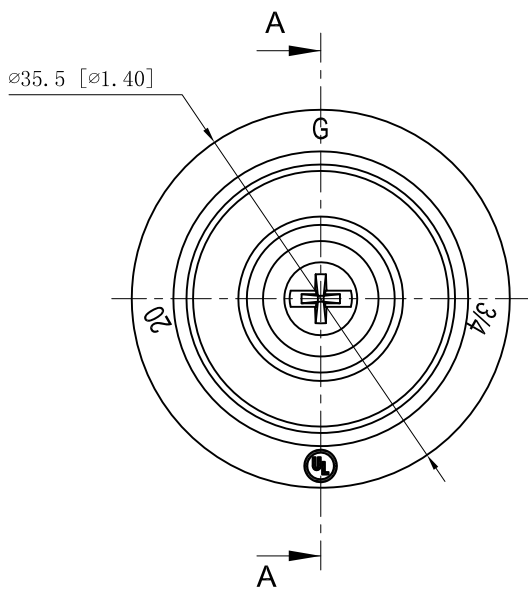
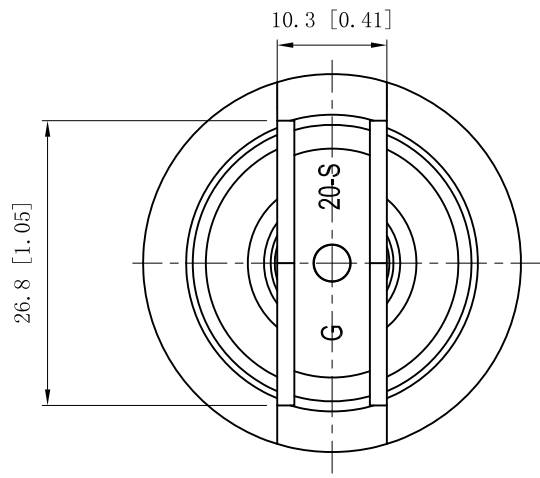


SIDES	BOTTOM
1 PCS 6-32×1/2 Screws Installed	
Material:Steel-0.0625"-C.R.S Zinc Plated	



VIEW A-A

This data sheet is for reference only .GARVIN INDUSTRIES reserves the right to make changes to the design without prior notice.

DESCRIPTION
TRADE REFERENCE TERMS

STANDARD PACKING
100/1000 PCS

GARVIN INDUSTRIES		
TITLE KNOCKOUT SEALS		
SIZE A4	DWG NO. KOS-75	REV B
DATA SHEET		