



Southwire™

END BELLS

FEATURES

- High tensile and impact strength
- Protects wiring being pulled through the vault wall

APPLICATION

- Use in concrete vault walls to provide a smooth, safe entrance to the conduit outside

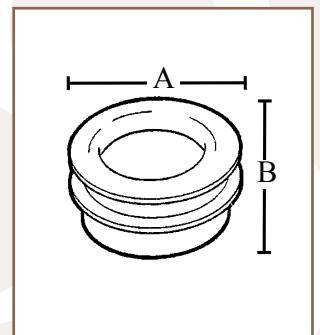
STANDARD MATERIAL

- PVC



1121

PART #	SIZE	MASTER QTY.	WEIGHT/CASE (LBS.)	A	B
1121	1/2"	100	2	1.25"	.75"
1122	3/4"	100	3	1.50"	1"
1123	1"	50	2	1.75"	1.25"
1124TZ	1-1/4"	50	4	2.125"	1.3125"
1125TZ	1-1/2"	50	5	2.50"	1.5625"
1126TZ	2"	40	5	2.8125"	1.5625"
1127TZ	2-1/2"	30	6	3.375"	1.875"
1128TZ	3"	50	19	4.125"	2.0625"
1129TZ	3-1/2"	50	13	4.625"	2.25"
1130	4"	50	17	5.125"	2.375"
1130A	5"	25	20	6.375"	2.4375"
1130B	6"	15	18	7.375"	2.875"



Rev. 0, 03/23

**BUILT FOR DURABILITY.
BUILT FOR RELIABILITY.
BUILT FOR WORK.™**

1-855-798-6657 | SOUTHWIRE.COM

©2023 Southwire Company, LLC. All rights reserved.
*Registered Trademark & ™Trademark of Southwire Company, LLC.