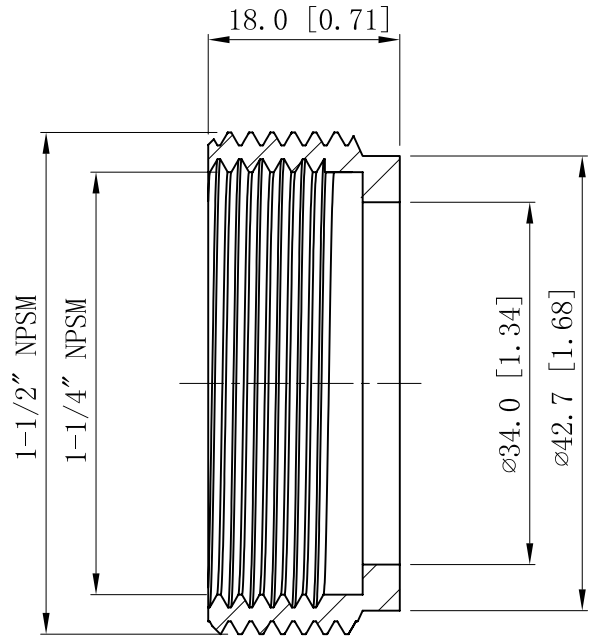
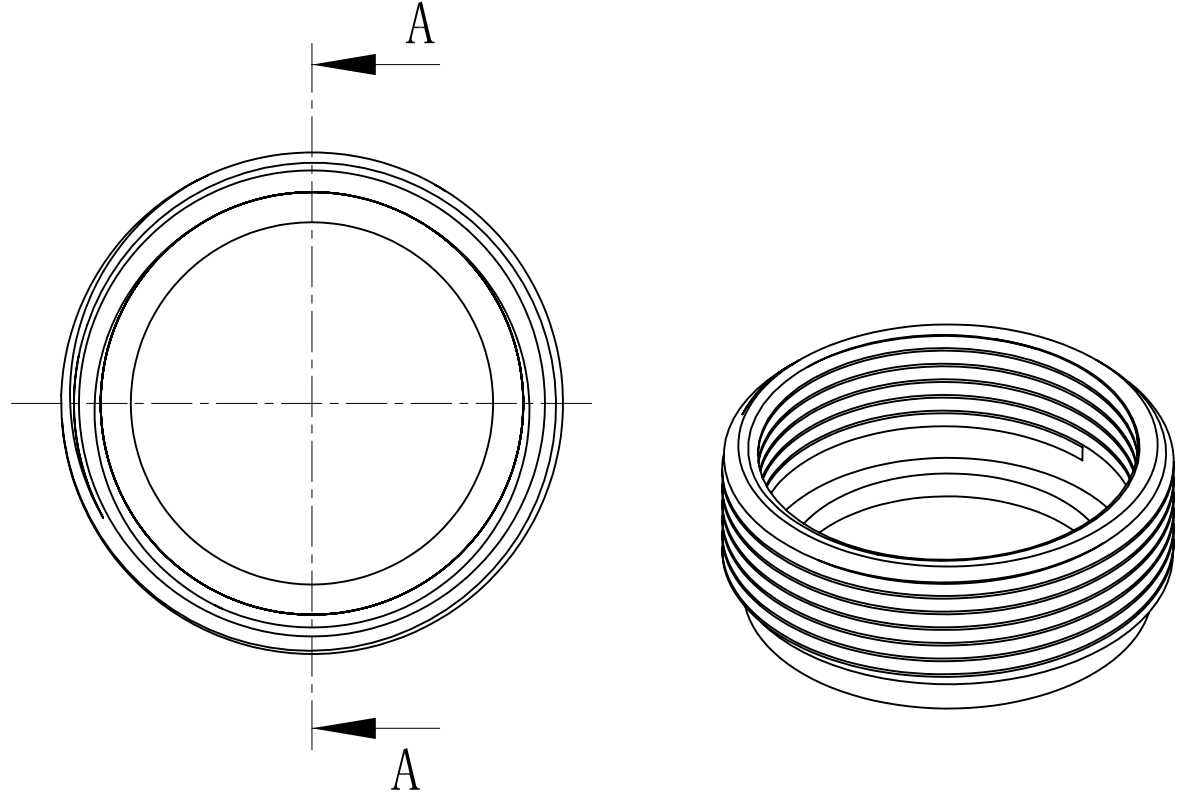


SIDES	BOTTOM
Material:Steel-(C1008-1018) Zinc Plated	



VIEW A-A



DESCRIPTION
TRADE REFERENCE TERMS

This data sheet is for reference only .GARVIN INDUSTRIES reserves the right to make changes to the design without prior notice.

STANDARD PACKING
20 PCS

TITLE			REV		
GARVIN INDUSTRIES					
STEEL REDUCING BUSHING					
SIZE	DWG NO.				REV
A4	RB150125				
DATA SHEET					