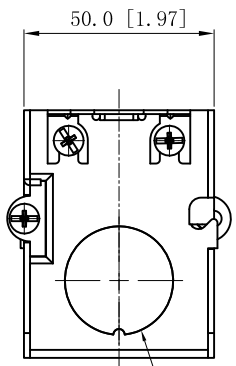
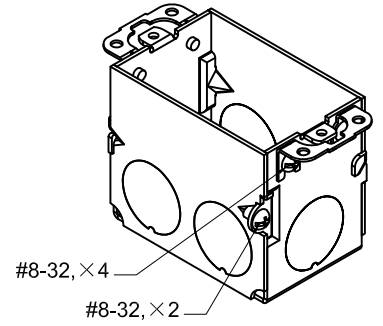
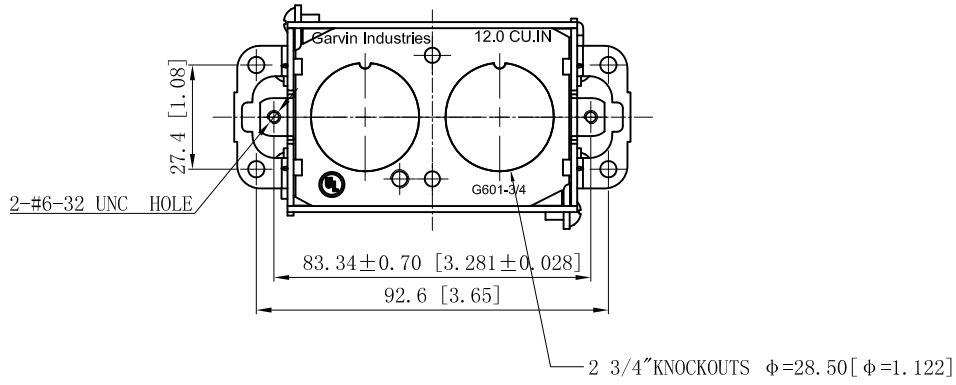
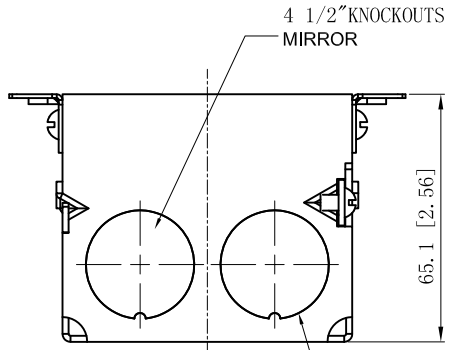


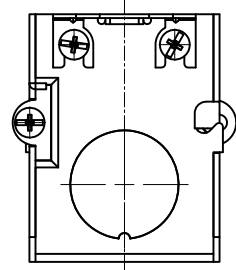
SIDES	BOTTOM
6 3/4" KNOCKOUTS	2 3/4" KNOCKOUTS
2 PCS 8-32×1/4 Screws Installed	
4 PCS 8-32×3/16 Screws Installed	
Material:Steel-0.0625"-G60 Galvanized	



2 3/4" KNOCKOUTS $\phi=28.50$ [$\phi=1.122$]
 MIRROR



4 3/4" KNOCKOUTS $\phi=28.50$ [$\phi=1.122$]
 MIRROR



This data sheet is for reference only .GARVIN INDUSTRIES reserves the right to make changes to the design without prior notice.

DESCRIPTION
TRADE REFERENCE TERMS

STANDARD PACKING
50 PCS

GARVIN INDUSTRIES		
TITLE GANGABLE SWITCH BOXES WITH CONOUIT KNOCKOUTS		
SIZE A4	DWG NO. G601-3/4	REV A
DATA SHEET		