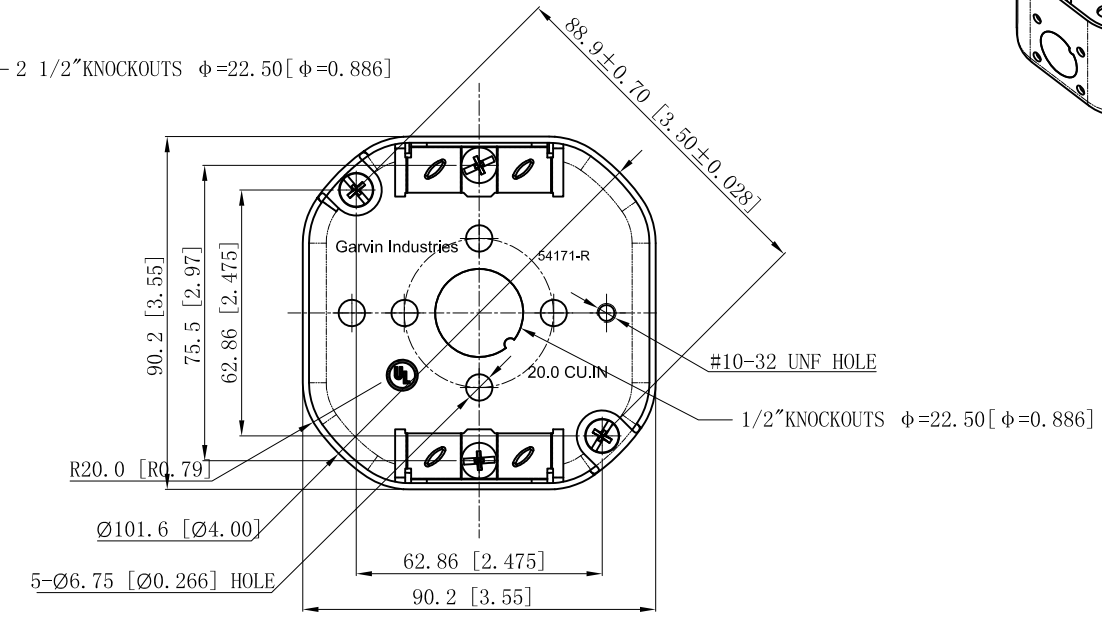
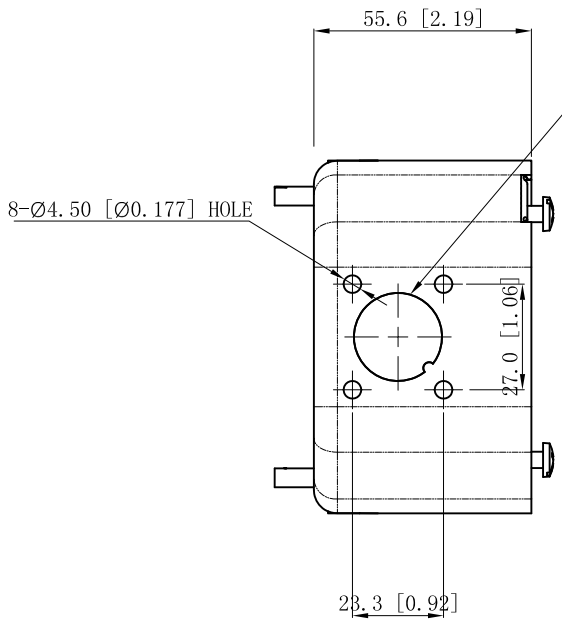
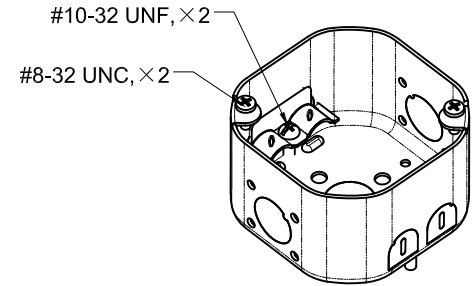
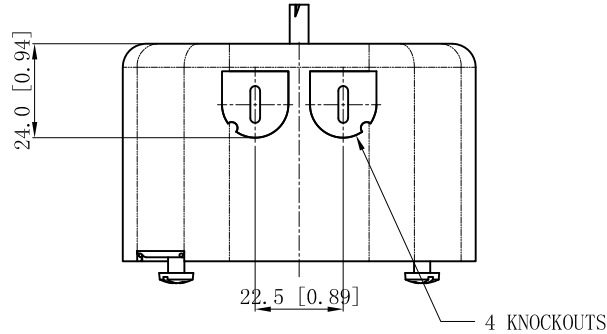


SIDES	BOTTOM
1/2"KNOCKOUTS	1/2"KNOCKOUTS
4KNOCKOUTS	
2 PCS 8-32×1/2 Screws Installed	
2 PCS 10-32×1 Screws Installed	
Material:Steel-0.0625"-G60 Galvanized	



DESCRIPTION
TRADE REFERENCE TERMS

This data sheet is for reference only.GARVIN INDUSTRIES reserves the right to make changes to the design without prior notice.

STANDARD PACKING	TITLE		
	GARVIN INDUSTRIES		
25 PCS	4"OCTAGON BOXES 2-1/8"DEEP		
	SIZE	DWG NO.	REV
A4	54171-R	A	
DATA SHEET			