



Southwire™

20A 240V IN-LINE CORD SETS

Shockshield in-line GFCI ensures protection from dangerous current leakage that can cause electrical shock and possible electrocution.



26020011-6

APPLICATIONS
High Pressure Sprayer Washers
Construction Site Power Tools
Drain Snakes
Pumps
Construction Sites
Industrial Appliances
Saws and Drills
Portable Electric Power Tools
Multiple Tools



GFCI WITH 4-6MA TRIP POINT

25MS TRIP RESPONSE TIME

MANUAL RESET

**PROVIDES COMPLIANCE WITH
NEC 2008 ARTICLE 590.6 FOR
TEMPORARY INSTALLATIONS**

**CUSTOM CABLE GAUGES, LENGTHS
AND TERMINATIONS AVAILABLE BY
SPECIAL ORDER**

**APPLICATIONS: PLANT
MAINTENANCE, EQUIPMENT
SERVICE AND CONSTRUCTION SITES**

MODEL #	ELECTRICAL RATING			CORD LENGTH	CORD GAUGE	WIRE TYPE	COLOR	RECEPTACLE COUNT	LIGHTED RECEPTACLE
26000011-6	240V	20A	60Hz	2'	12/3 AWG	SJTW	YELLOW	SINGLE	NO
26000016-3	240V	20A	60Hz	25'	12/3 AWG	SJTW	YELLOW	SINGLE	NO
26000125-2	240V	20A	60Hz	50'	12/3 AWG	SJTW/SJTOW	YELLOW	SINGLE	NO

TECHNICAL DATA	
GROUNDING NEUTRAL	4 Ohms Typical
VOLTAGE SURGE WITHSTAND	3 Kv Ringwave Test and 4Kv/2Ka Surge Immunity Test
RADIO FREQUENCY NOISE SUSCEPTABILITY	Operates Within Normal Limits With 0.5 Volts Injected On Power Line 150Khz-230Mhz
ENDURANCE	3,000 Operations Minimum
OVERLOAD CURRENT	Six Times Rated Current
OPERATING TEMPERATURE RANGE	-35°C to 66°C
EFFECT OF 10 AMP TURN DC SOCK FAULT TRIP	5% Maximum Trip Level Variation on Ground
INSULATION VOLTAGE	1500 Vrms - 1 Min.
POWER INDICATION	Lighted Indicator

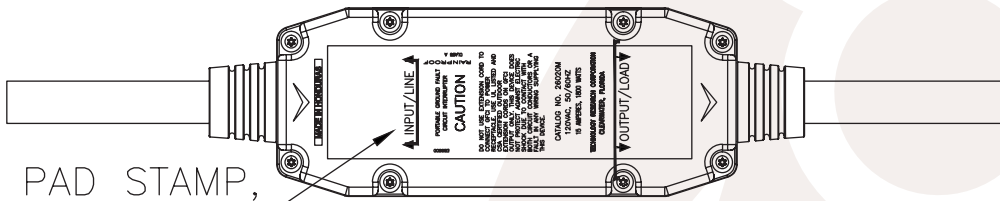
**BUILT FOR DURABILITY.
BUILT FOR RELIABILITY.
BUILT FOR WORK.™**

1-855-798-6657 | SOUTHWIRE.COM

©2023 Southwire Company, LLC. All rights reserved.
*Registered Trademark & ™Trademark of Southwire Company, LLC.

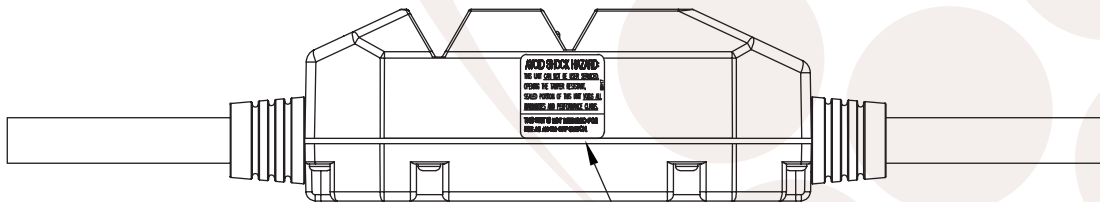
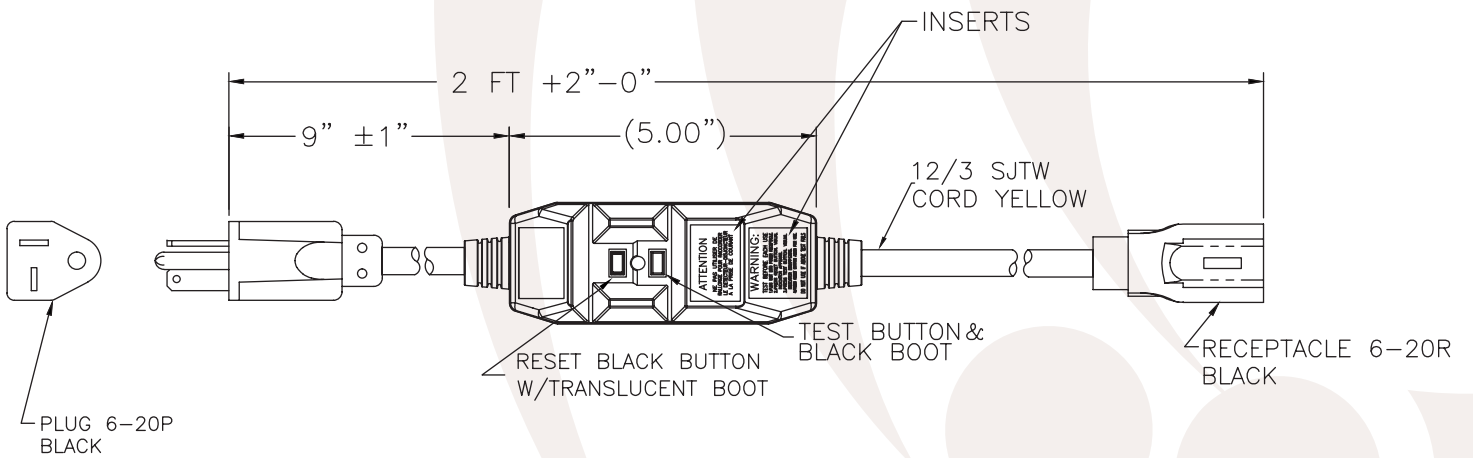
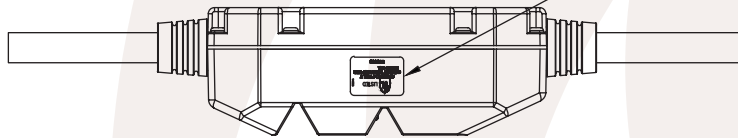


Southwire™



PAD STAMP,
BLACK

LABEL WHT ON BLACK



LABEL WHT ON BLACK

**BUILT FOR DURABILITY.
BUILT FOR RELIABILITY.
BUILT FOR WORK.™**

1-855-798-6657 | SOUTHWIRE.COM

©2023 Southwire Company, LLC. All rights reserved.
*Registered Trademark & ™Trademark of Southwire Company, LLC.