



Southwire™

BEAM/PURLIN

THREADED ROD FLANGE CLIP SUPPORT

APPLICATION

Attaches to beam flanges to support rods, boxes, fixtures, or other necessary attachments.

FEATURES

Hammer-on installation
Accommodates 1/4" rod size
Bottom mount

MATERIAL/FINISH

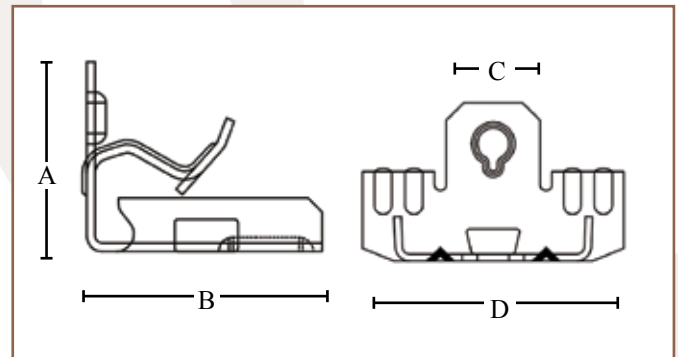
Spring Steel/GEOSEAL™

CERTIFICATIONS

UL Standard: UL 2239



M912TZ



PART #	FLANGE THICKNESS	LOAD CAPACITY (LBS.)			A	B	C	D	BOX QTY.
		VERTICAL ROD	HORIZONTAL ROD	VERTICAL STRAP					
M24TZ	1/8" – 1/4"	100	25	75	1.06"	1.32"	.63"	1.75"	100
M58TZ	5/16" – 1/2"	100	25	75	1.34"	1.36"	.63"	1.75"	100
M912TZ	9/16" – 3/4"	100	25	75	1.63"	1.46"	.63"	1.75"	100

Rev. 0, 03/23

**BUILT FOR DURABILITY.
BUILT FOR RELIABILITY.
BUILT FOR WORK.™**

1-855-798-6657 | SOUTHWIRE.COM

©2023 Southwire Company, LLC. All rights reserved.
*Registered Trademark & ™Trademark of Southwire Company, LLC.