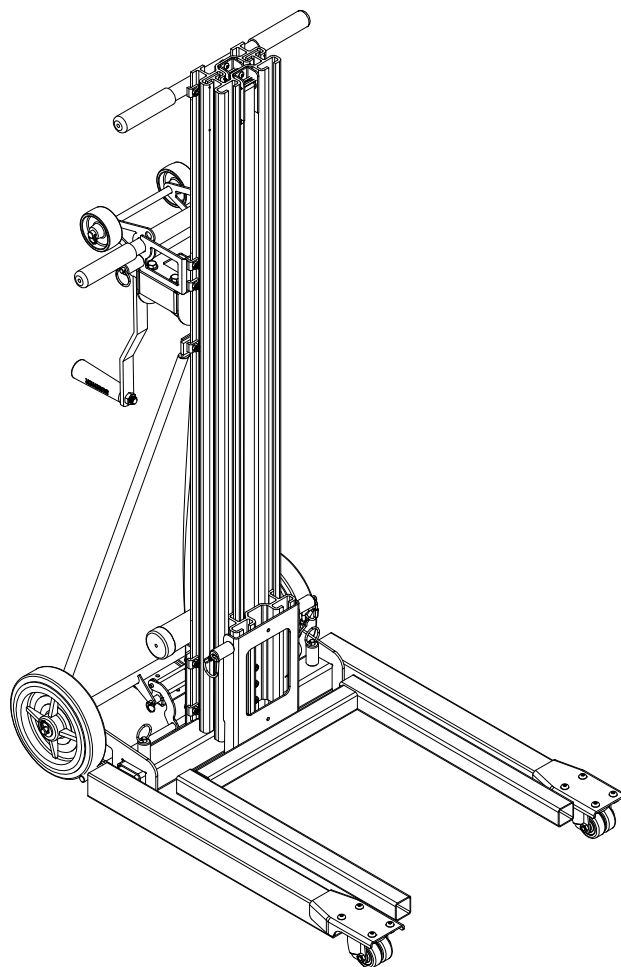

PARTS MANUAL

SERIES 2200 LIL' HOISTER



USA

7514 Alabonson Rd.
Houston, TX 77088
ph: 281-999-6900
fax: 281-999-6966

CANADA

75 Saltsman Drive, Unit 5
Cambridge, Ontario N3H 4R7
ph: 519-653-5300
fax: 519-653-5305

NETHERLANDS

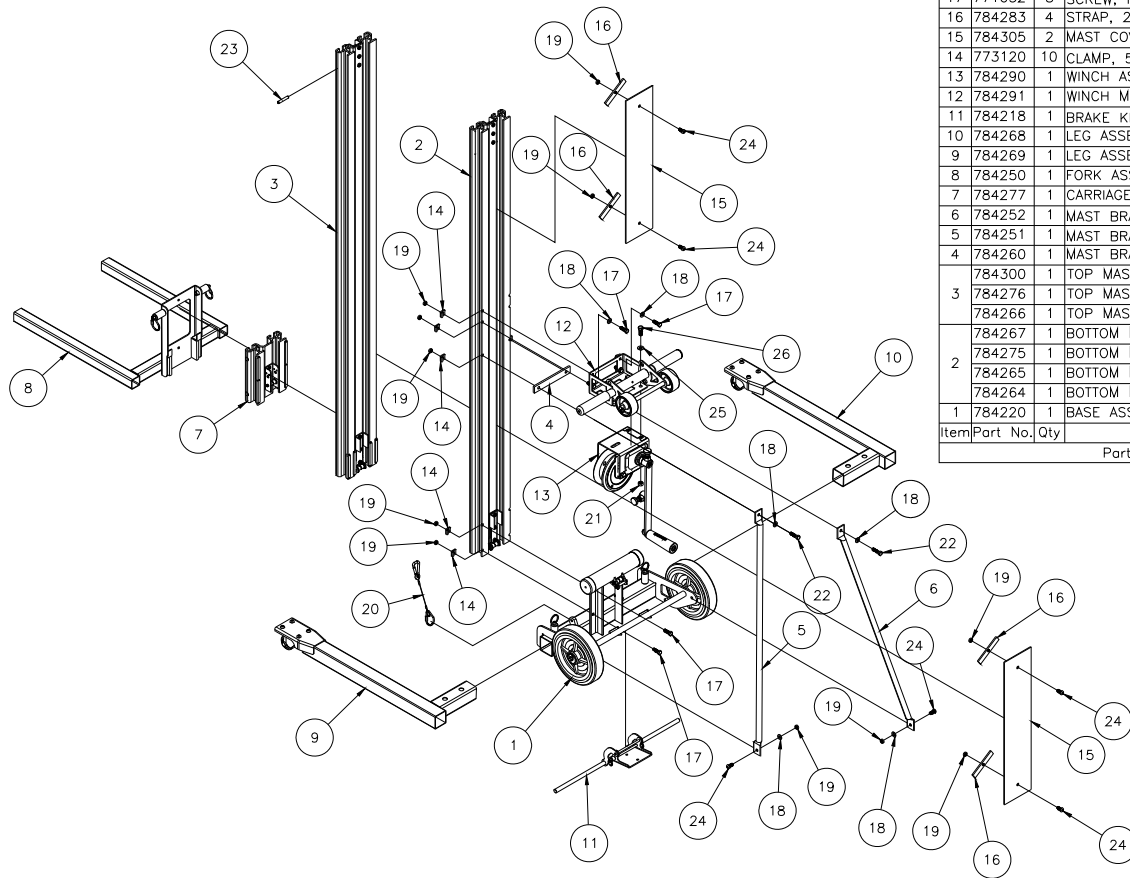
Midden Engweg
21NL-3882TS Putten
Netherlands
europeansales.com
ph: + 31 (0) 85 489 0284

UK

Unit 3 Kempton Road
Keytec 7 Business Park
Persnore, Worcestershire
WR 10 2TA, UK
ph: + 44 (0) 1386 556278

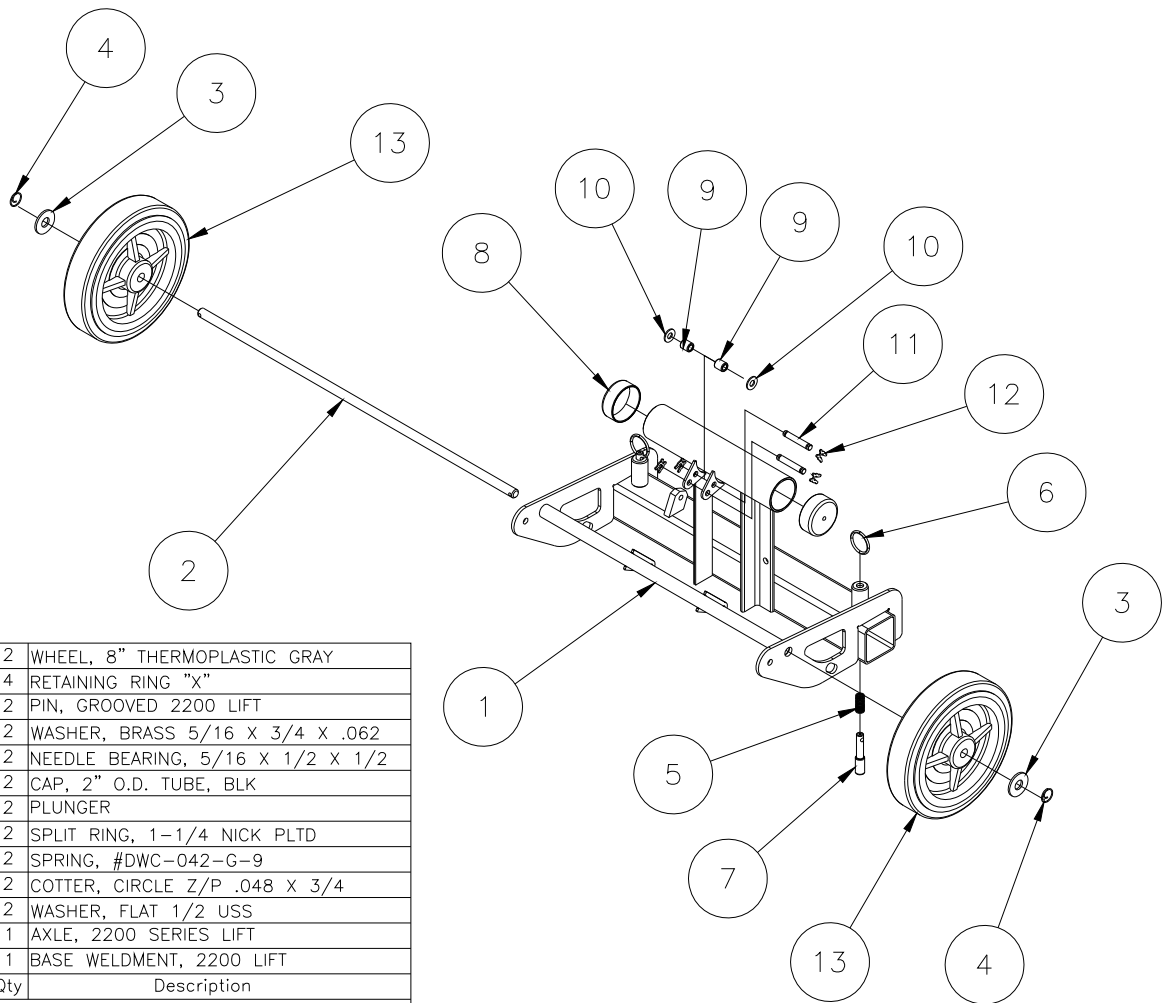
2204/2206/2208/2210 LIL' HOISTER LIFT ASSEMBLY

2200 LIFT ASSEMBLY



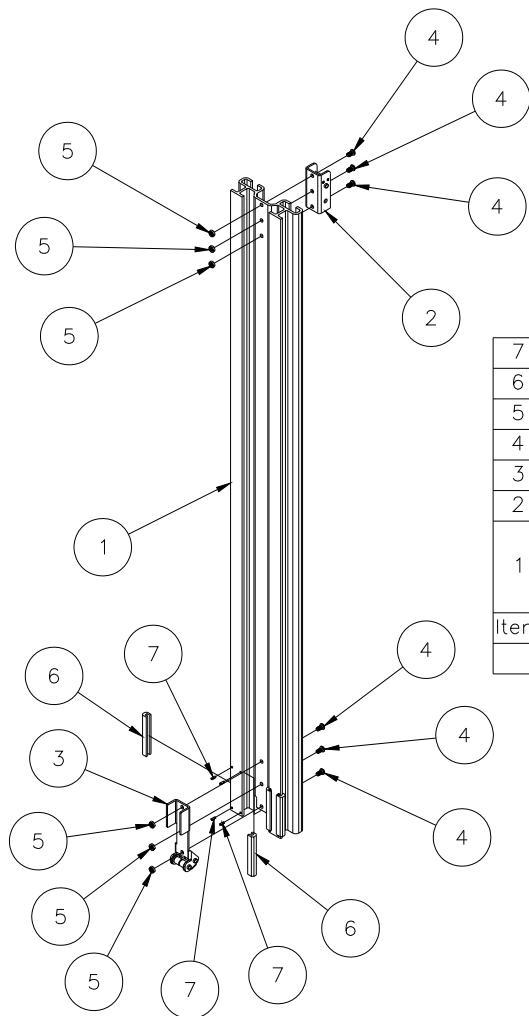
	779240	1	LIFTING STRAP, 2210 LIFT (NOT SHOWN)
27	779241	1	LIFTING STRAP, 2208 LIFT (NOT SHOWN)
	779242	1	LIFTING STRAP, 2206 LIFT (NOT SHOWN)
	779243	1	LIFTING STRAP, 2204 LIFT (NOT SHOWN)
26	771107	3	SCREW, HHC 3/8-16 X 1
25	773040	3	WASHER, FLAT 3/8 USS
24	771239	6	SCREW, BHC 5/16-18 X 7/8
23	774117	1	PIN, DOWEL 5/16 X 1-3/4
22	771053	2	SCREW, HHC 5/16-18 X 1-1/4 PLTD
21	772355	3	NUT, INSERT LOCK 3/8-16
20	784281	1	MAST HOLD DOWN ASSEMBLY 2200
19	772502	16	NUT, INSERT JAM 5/16-18
18	773042	8	WASHER, FLAT 5/16
17	771052	8	SCREW, HHC 5/16-18 X 1 PLTD
16	784283	4	STRAP, 2200 LIFT
15	784305	2	MAST COVER, LONG 2200 LIFT
14	773120	10	CLAMP, 5/16
13	784290	1	WINCH ASSEMBLY, 2200 LIFT
12	784291	1	WINCH MOUNT ASSEMBLY, 2200
11	784218	1	BRAKE KIT, 2200 LIFT (OPTIONAL)
10	784268	1	LEG ASSEMBLY, RIGHT
9	784269	1	LEG ASSEMBLY, LEFT
8	784250	1	FORK ASSEMBLY, 2200 LIFT
7	784277	1	CARRIAGE ASSEMBLY, 2200 LIFT
6	784252	1	MAST BRACE (RIGHT) 2200 LIFT
5	784251	1	MAST BRACE (LEFT) 2200 LIFT
4	784260	1	MAST BRACE STRAP
	784300	1	TOP MAST ASSEMBLY, 2210
	784276	1	TOP MAST ASSEMBLY, 2208
	784266	1	TOP MAST ASSEMBLY, 2206
	784267	1	BOTTOM MAST ASSEMBLY, 2210
2	784275	1	BOTTOM MAST ASSEMBLY, 2208
	784265	1	BOTTOM MAST ASSEMBLY, 2206
	784264	1	BOTTOM MAST ASSEMBLY, 2204
1	784220	1	BASE ASSEMBLY
Item	Part No.	Qty	Description
Parts List			

784220 - BASE ASSEMBLY



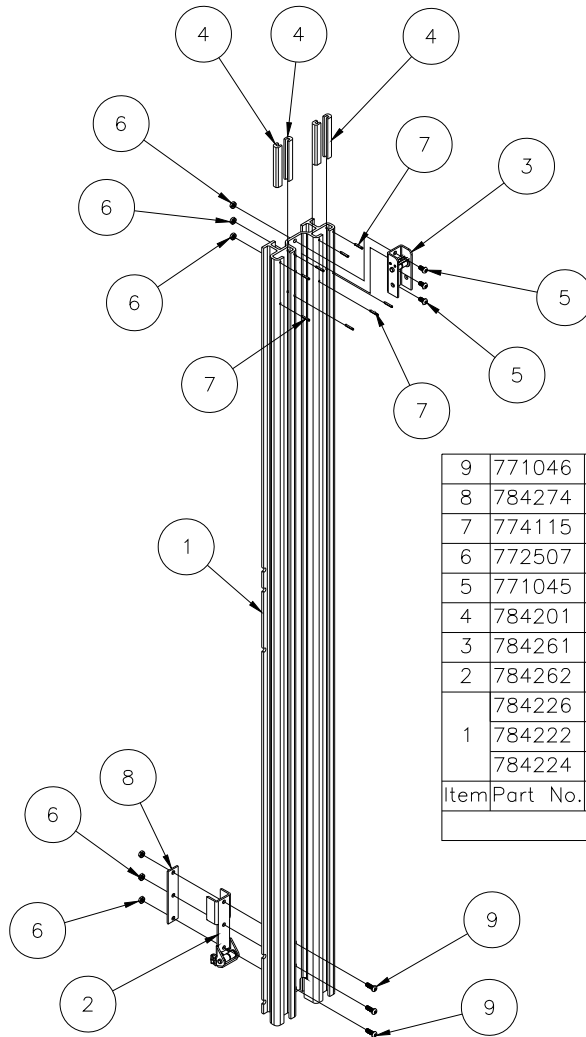
13	779031	2	WHEEL, 8" THERMOPLASTIC GRAY
12	776084	4	RETAINING RING "X"
11	784273	2	PIN, GROOVED 2200 LIFT
10	773015	2	WASHER, BRASS 5/16 X 3/4 X .062
9	775065	2	NEEDLE BEARING, 5/16 X 1/2 X 1/2
8	779905	2	CAP, 2" O.D. TUBE, BLK
7	782510	2	PLUNGER
6	775110	2	SPLIT RING, 1-1/4 NICK PLTD
5	776212	2	SPRING, #DWC-042-G-9
4	774053	2	COTTER, CIRCLE Z/P .048 X 3/4
3	773060	2	WASHER, FLAT 1/2 USS
2	784221	1	AXLE, 2200 SERIES LIFT
1	784206	1	BASE WELDMNT, 2200 LIFT
Item	Part No.	Qty	Description
Parts List			

TOP MAST ASSEMBLY



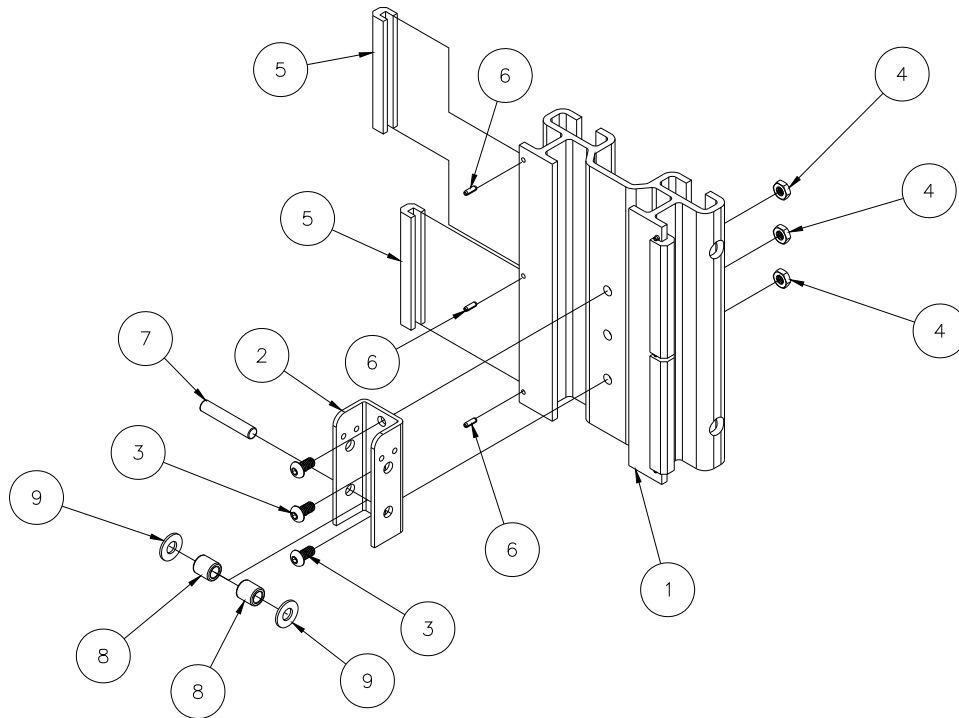
7	774116	8	PIN, ROLL 1/8 X 3/8
6	784201	4	SLIDE, 2200 SERIES LIFT
5	772507	6	NUT, INSERT JAM 1/4-20 PLTD
4	771045	6	SCREW, BHC 1/4-20 X 1/2 PLTD
3	784263	1	LOWER ROLLER BRKT ASSEMBLY
2	784261	1	UPPER ROLLER BRKT ASSEMBLY
1	784227	1	MAST FABRICATION, TOP 67" (2210)
	784225	1	MAST FABRICATION, TOP 55" (2208)
	784223	1	MAST FABRICATION, TOP 40" (2206)
Item	Part No.	Qty	Description
Parts List			

BOTTOM MAST ASSEMBLY



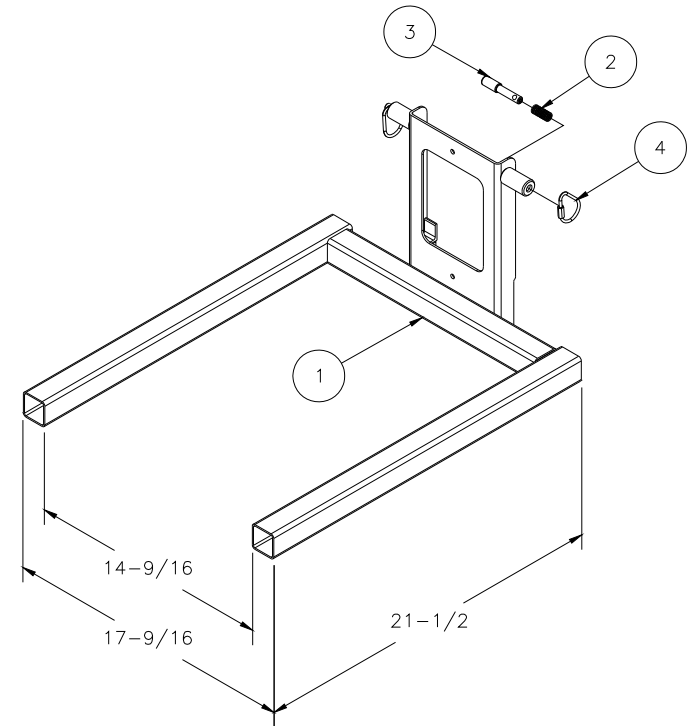
9	771046	3	SCREW, BHC 1/4-20 X 3/4
8	784274	1	BRACKET SUPPORT, LOWER ROLLER
7	774115	8	PIN, ROLL 1/8 X 3/4
6	772507	6	NUT, INSERT JAM 1/4-20 PLTD
5	771045	3	SCREW, BHC 1/4-20 X 1/2 PLTD
4	784201	4	SLIDE, 2200 SERIES LIFT
3	784261	1	UPPER ROLLER BRACKET ASSEMBLY
2	784262	1	LOWER ROLLER BRACKET ASSEMBLY
1	784226	1	MAST FABRICATION, BOTTOM 67" (2210)
	784222	1	MAST FABRICATION, BOTTOM 40" (2206)
	784224	1	MAST FABRICATION, BOTTOM 55" (2204 & 2208)
Item	Part No.	Qty	Description
Parts List			

784277 - CARRIAGE ASSEMBLY



9	773015	2	5/16 BRASS WASHER
8	775065	2	ROLLER BEARING
7	774117	1	5/16 x 1-3/4 DOWEL PIN
6	774116	6	1/8Ø 3/8 ROLL PIN
5	784201	4	SLIDE
4	772507	3	1/4-20 INSERT JAM LOCK NUT
3	771045	3	BHCS 1/4-20 x 1/2
2	784207	1	UPPER ROLLER BRACKET
1	784231	1	CARRIAGE
Item	Part No.	Qty	Description
Parts List			

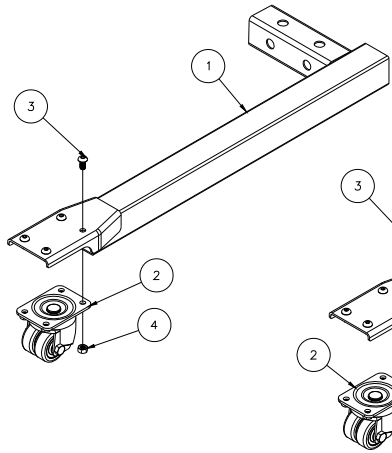
784250 FORK ASSEMBLY



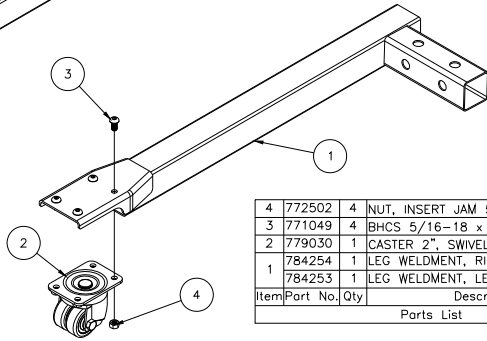
4	779317	2	RAPID LINK, PEAR SHAPED 1/8"
3	782510	2	PLUNGER
2	776212	2	SPRING, #DWC-042-G-9
1	784245	1	FORK WELDMENT, 2200 SERIES
Item	Part No.	Qty	Description
Parts List			

LEG ASSEMBLY

784269 - LEG ASSEMBLY, LEFT

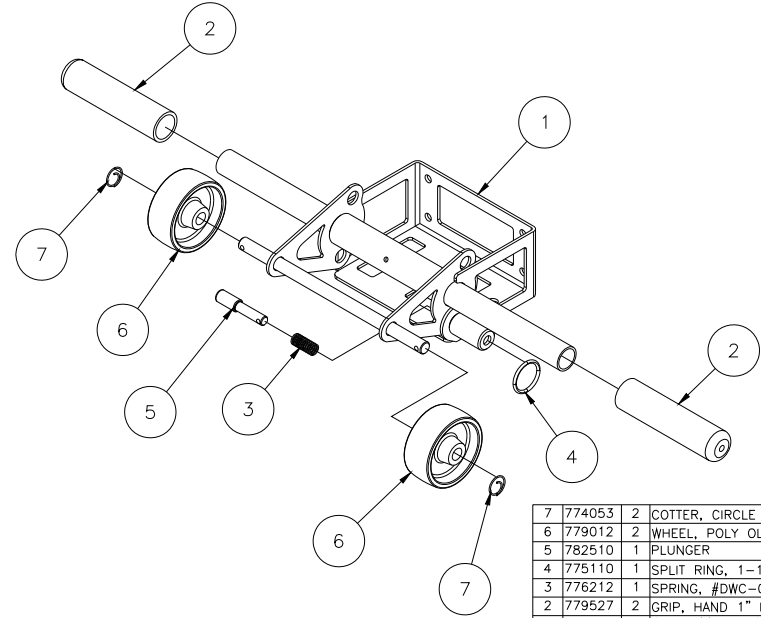


784268 - LEG ASSEMBLY, RIGHT



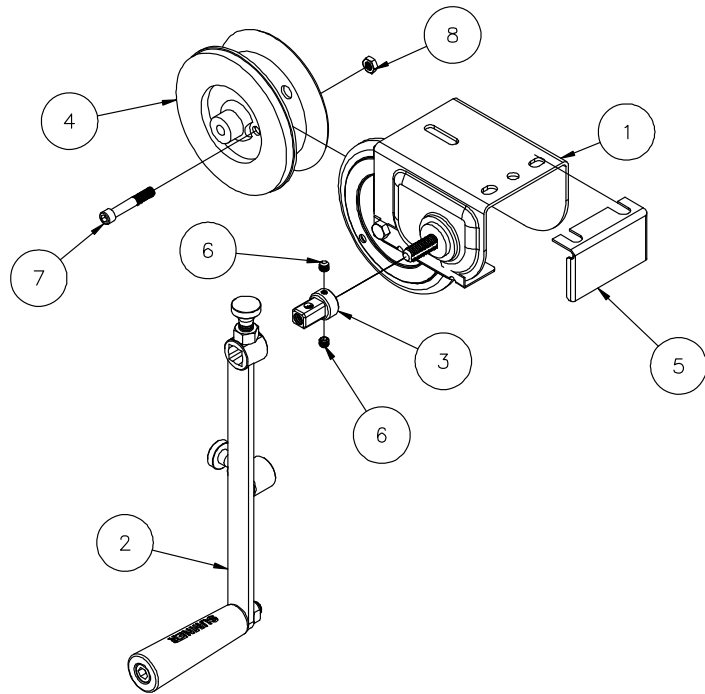
4	772502	4	NUT, INSERT JAM 5/16-18
3	771049	4	BHCS 5/16-18 x 5/8
2	779030	1	CASTER 2", SWIVEL PLATE MOUNT
1	784254	1	LEG WELDMENT, RIGHT 2200 LIFT
	784253	1	LEG WELDMENT, LEFT 2200 LIFT
Item	Part No.	Qty	Description
Parts List			

784291 - WINCH MOUNT



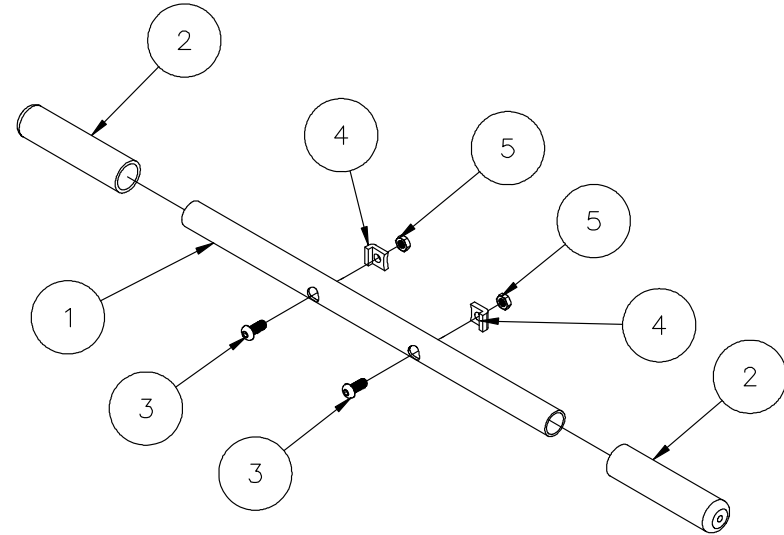
7	774053	2	COTTER, CIRCLE Z/P .048 X 3/4
6	779012	2	WHEEL, POLY OLEFIN 3"
5	782510	1	PLUNGER
4	775110	1	SPLIT RING, 1-1/4" NICK PLTD
3	776212	1	SPRING, #DWC-042-G-9
2	779527	2	GRIP, HAND 1" ID X 5" LG
1	784292	1	WINCH MOUNT WELDMENT, 2200
Item	Part No.	Qty	Description
Parts List			

784290 - WINCH ASSEMBLY



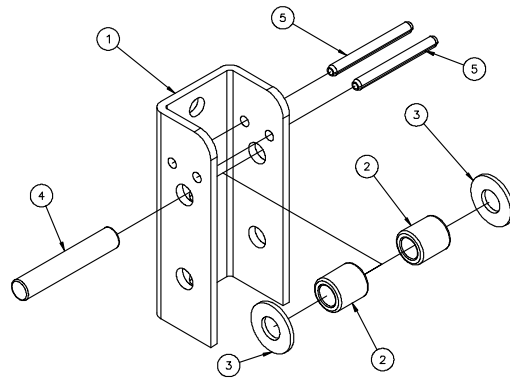
8	772502	1	NUT, INSERT JAM 5/16-18
7	771227	1	SCREW, SHC 5/16-18 X 2
6	771431	2	SCREW, SET 1/4-20 X 5/16 FLT PT
5	776145	1	WINCH COVER, 2200 SERIES LIFT
4	784288	1	WINCH DRUM MACHINING
3	784284	1	WINCH HANDLE ADAPTER
2	784289	1	WINCH HANDLE ASSEMBLY, 2200
1	779950	1	WINCH, 4.1:1 RATIO W/COVER
Item	Part No.	Qty	Description
Parts List			

784282 - HANDLE ASSEMBLY



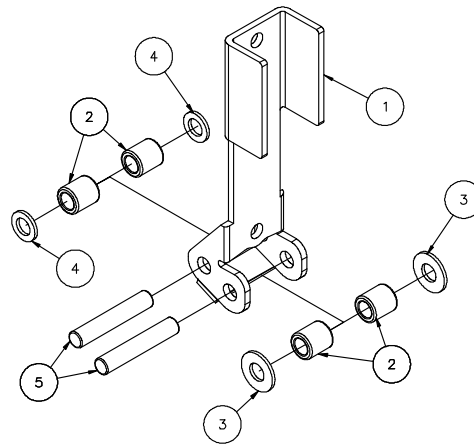
5	772502	2	NUT, INSERT JAM 5/16-18
4	773120	2	CLAMP, 5/16
3	771239	2	SCREW, BHC 5/16-18 X 3/4
2	779527	2	GRIP, HAND 1" ID X 5" LG
1	784280	1	TOP HANDLE, 2200 LIFT
Item	Part No.	Qty	Description
Parts List			

784261 UPPER ROLLER ASSEMBLY



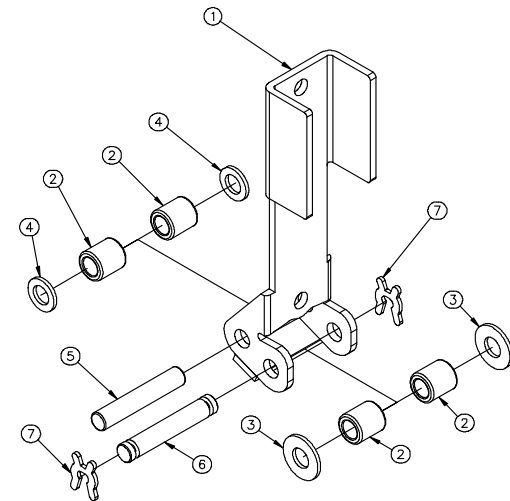
5	774118	2	PIN, ROLL 5/32 X 1-1/2
4	774117	1	PIN, DOWEL 5/16 X 1-3/4
3	773015	2	WASHER, BRASS 5/16 X 3/4 X .062
2	775065	2	NEEDLE BEARING, 5/16 X 1/2 X 1/2
1	784207	1	TOP ROLLER BRACKET, 2200
Item	Part No.	Qty	Description
Parts List			

784263 LOWER ROLLER ASSEMBLY (TOP MAST)



5	774117	2	5/16 DOWEL PIN
4	773016	2	5/16 WASHER TYPE B NARROW
3	773015	2	5/16 BRASS WASHER
2	775065	4	NEEDLE BEARING
1	784237	1	LOWER ROLLER BRACKET WELDMENT
Item	Part No.	Qty	Description
Parts List			

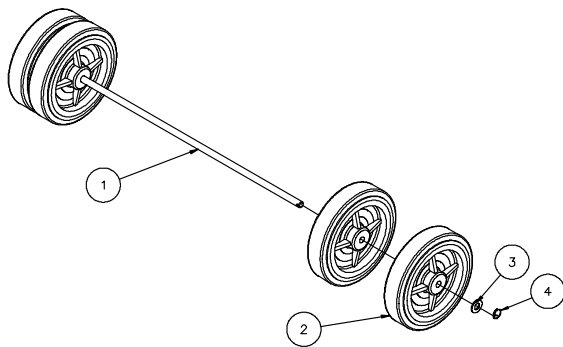
784262 LOWER ROLLER ASSEMBLY (BOTTOM MAST)



7	776084	2	RETAINER CLIP
6	784273	1	5/16 PIN (GROOVED)
5	774117	1	5/16 DOWEL PIN
4	773016	2	5/16 WASHER TYPE B NARROW
3	773015	2	5/16 BRASS WASHER
2	775065	4	NEEDLE BEARING
1	784237	1	LOWER ROLLER BRACKET WELDMENT
Item	Part No.	Qty	Description
Parts List			

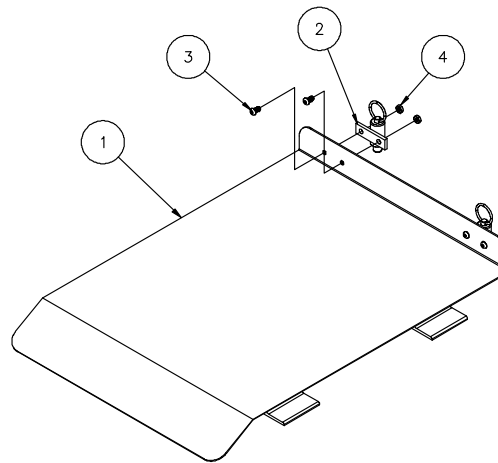
OPTIONS

784258 DUAL WHEEL KIT



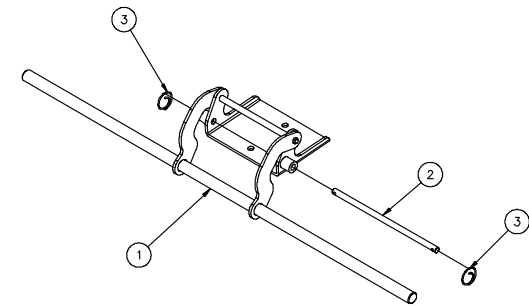
4	774053	2	.75Ø RING COTTER
3	773094	2	1/2' FLAT WASHER
2	779031	2	8" GRAY WHEEL
1	784233	1	DUALY AXLE
Item	Part No.	Qty	Description
Parts List			

784240 ALUMINUM TRAY



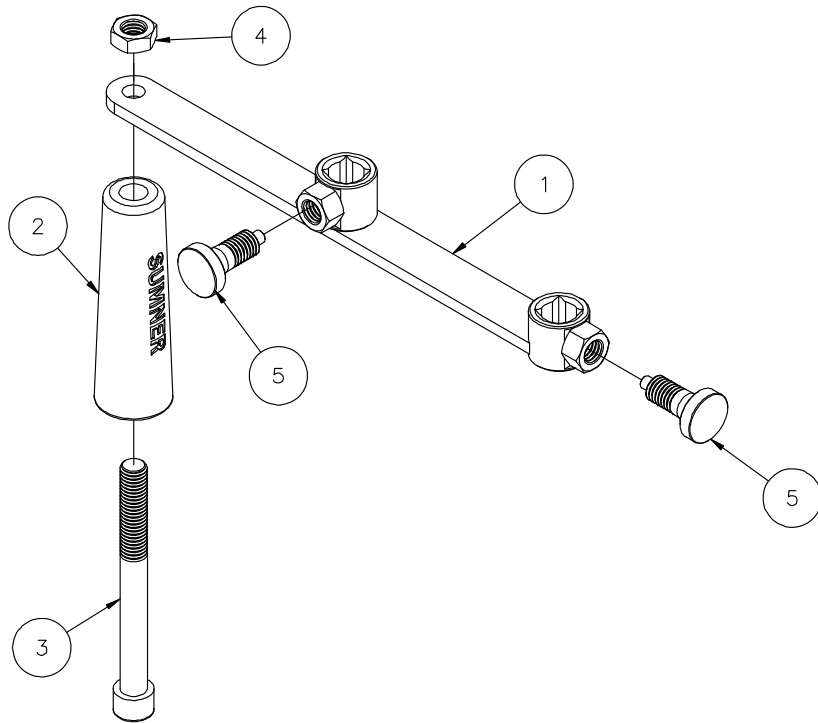
4	772507	4	1/4-20 INSERT JAM LOCK NUT
3	771045	4	BHCS 1/4-20 x 1/2
2	784302	2	TRAY PLUNGER ASSEMBLY
1	784239	1	FORK TRAY WELDMENT
Item	Part No.	Qty	Description
Parts List			

784218 BRAKE KIT



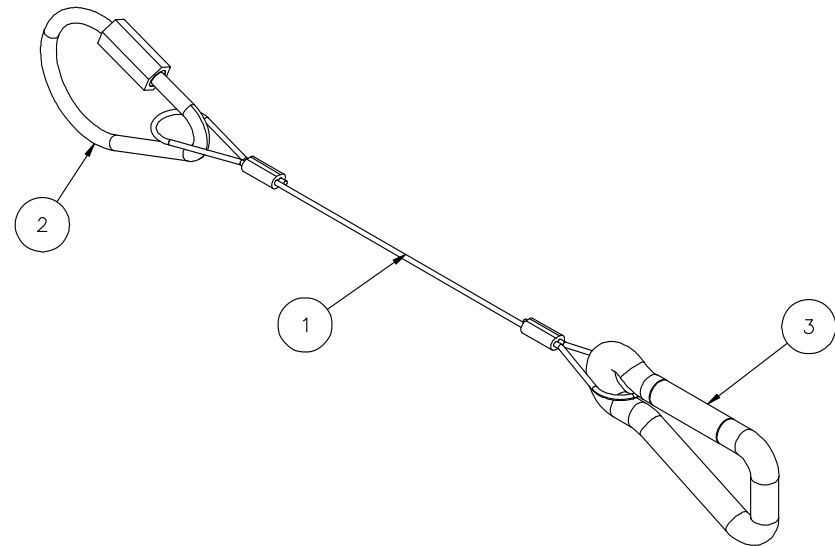
3	774053	2	.750Ø RING COTTER
2	784216	1	BRAKE MOUNT PIN
1	784219	1	BRAKE WELDMENT
Item	Part No.	Qty	Description
Parts List			

784289 - WINCH HANDLE ASSEMBLY



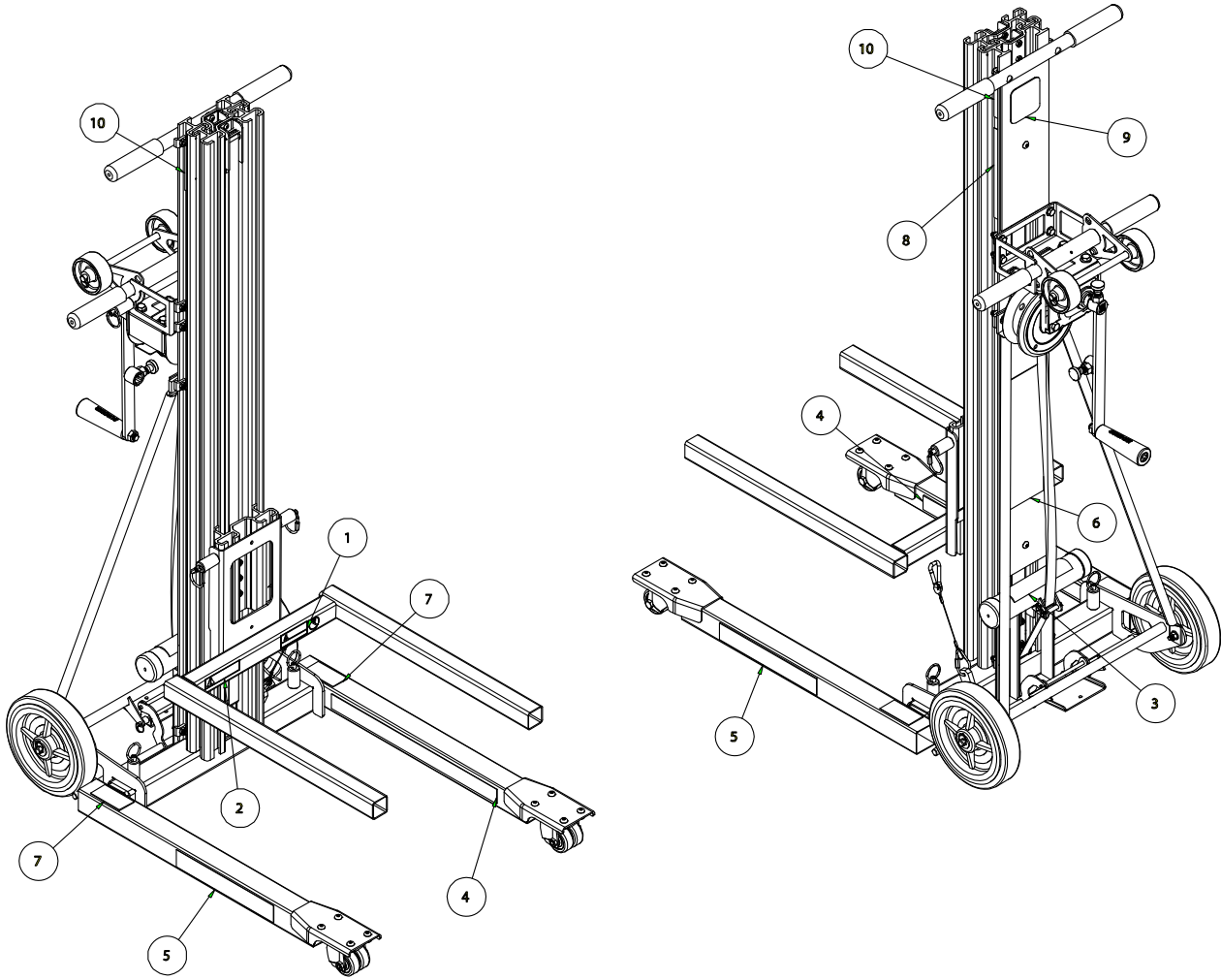
5	774180	2	SPRING PLUNGER, 1/4 DIA
4	772358	1	NUT, INSERT JAM 1/2-13
3	771253	1	SCREW, SHC 1/2-13 X 4-3/4
2	780182	1	WINCH HANDLE SLEEVE
1	784286	1	WINCH HANDLE WELDMENT
Item	Part No.	Qty	Description
Parts List			

784281 - MAST HOLD DOWN ASSEMBLY



3	779318	1	SPRING SNAP - 1/4"
2	779317	1	RAPID LINK, PEAR SHAPED 1/8"
1	774195	1	MAST HOLD DOWN (LANYARD)
Item	Part No.	Qty	Description
Parts List			

2200 COMMON LABEL PLACEMENT



10	778456	2	LABEL, MODEL 2204
10	778455	2	LABEL, MODEL 2206
10	778454	2	LABEL, MODEL 2208
10	778453	2	LABEL, MODEL 2210
9	778920	1	LABEL, CAUTION LABEL LATCH
8	778451	1	LABEL, CE AND SERIAL NUMBER
7	778452	2	LABEL, LEG INSTALLATION WARNING
6	778458	1	LABEL, LARGE WARNING 2200 LIFT
5	778450	2	LABEL, SUMNER 2200 LIFT
4	778457	2	LABEL, DO NOT STAND UNDERLOAD (2210 ONLY)
3	778906	1	LABEL, OPERATOR MANUAL READ BEFORE
2	778339	1	LABEL, CARRIAGE LATCH WARNING
1	778347	1	LABEL, NO RIDERS WARNING
Item	Part No.	Qty	Description
Parts List			