



Southwire™

PVC SPECIAL RADIUS ELBOWS

SCHEDULE 80 PVC

FEATURES

- High tensile and impact strength
- Resistant to damage from moisture and corrosive materials
- Industrial strength; superior weather resistant characteristics help rebuff elemental damage

APPLICATION

- For indoor, outdoor, above ground and direct burial applications

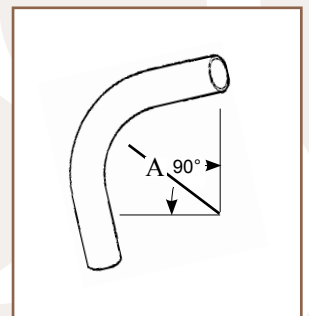
STANDARD MATERIAL

- Schedule 80 PVC

141480



PART #	SIZE	MASTER QTY.	WEIGHT/ CASE (LBS.)
141480	2" X 90° X 24"	1	2
141580	2" X 90° X 36"	1	2
141680	2" X 90° X 48"	1	2
143980	3" X 90° X 36"	1	4
144080	3" X 90° X 48"	1	4
145980	4" X 90° X 36"	1	6
146080	4" X 90° X 48"	1	7
146780	5" X 90° X 36"	1	7
146880	5" X 90° X 48"	1	7
147380	6" X 90° X 36"	1	9



Rev. 0, 03/23

**BUILT FOR DURABILITY.
BUILT FOR RELIABILITY.
BUILT FOR WORK.™**

1-855-798-6657 | SOUTHWIRE.COM

©2023 Southwire Company, LLC. All rights reserved.
*Registered Trademark & ™Trademark of Southwire Company, LLC.