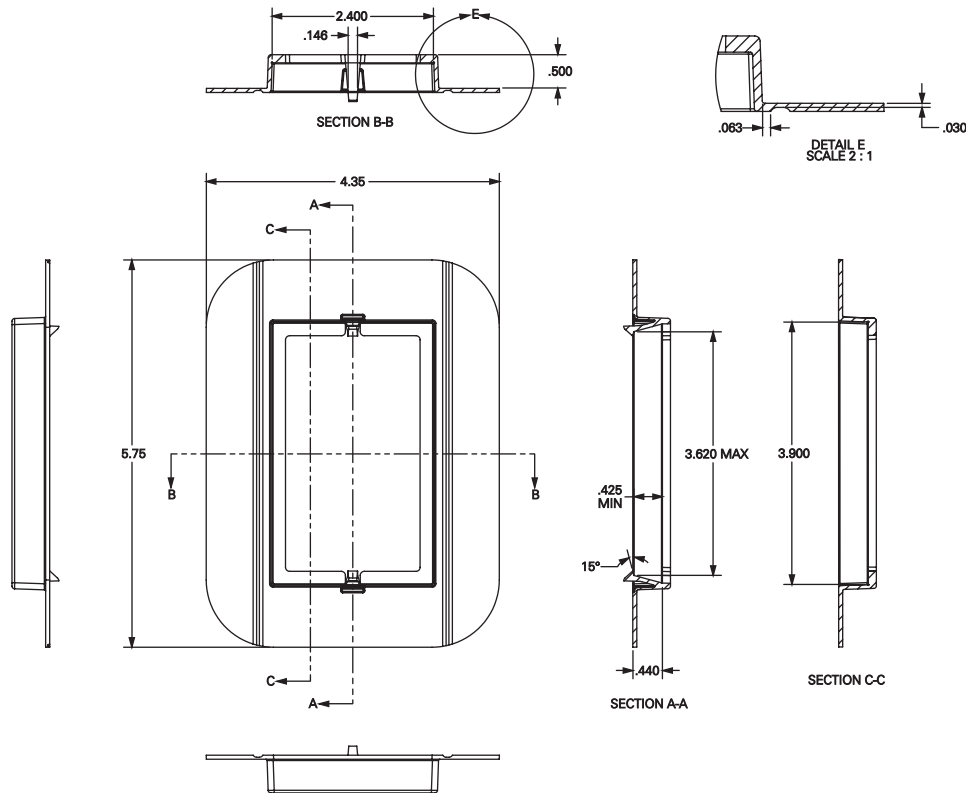


## DRAFTSEAL™ BOX ACCESSORY 1 GANG KIT


**FEATURES:**

- Helps to reduce drafts, vapors and sound transmissions through exterior walls.
- Works with all standard non-metallic boxes.
- Green ring is easily identifiable after dry wall install.
- Eliminates need for caulking & sealants.
- Complies with the IECC & LEED for envelope sealing.
- Includes foam gaskets to cover wire ports.

**TYPE OF INSTALLATION:** New Work

**CERTIFICATIONS:** UL Listed


MODEL#	MATERIAL	UPC	I20F5	MASTER QTY	TRADE SIZE		
MDSK1G	PVC, Foam Gaskets	784297022043	50784297022048	48	1 Gang		
ITEM HEIGHT	ITEM WIDTH	ITEM DEPTH	ITEM WEIGHT	MASTER HEIGHT	MASTER WIDTH	MASTER DEPTH	MASTER WEIGHT
5.75 in.	4.35 in.	0.70 in.	0.16 lbs.	7.13 in.	12.50 in.	17.30 in.	7.70 lbs.
INNER QTY	INNER HEIGHT	INNER WIDTH	INNER DEPTH	INNER WEIGHT			
12	6.75 in.	4.13 in.	12.30 in.	1.75 lbs.			

