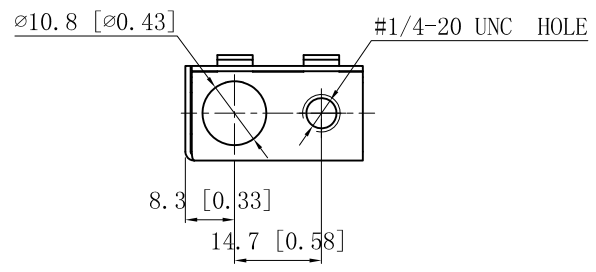
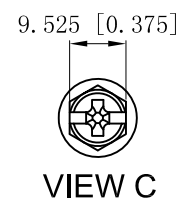
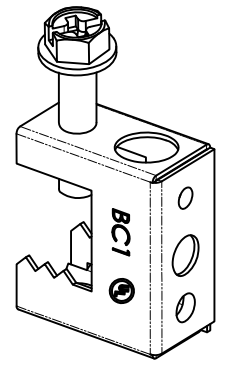
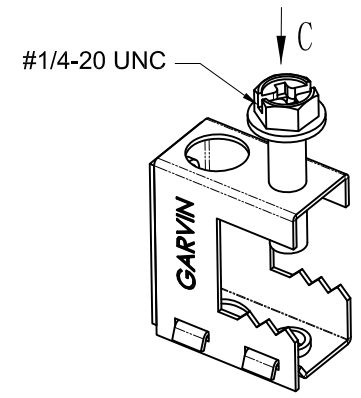
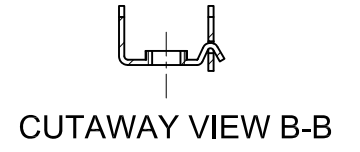
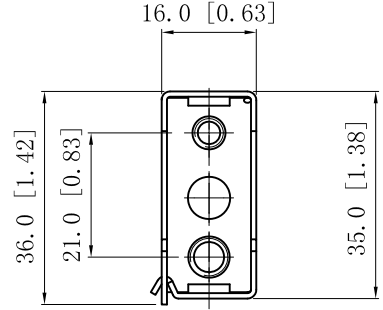
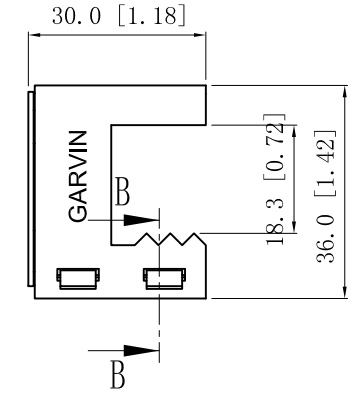
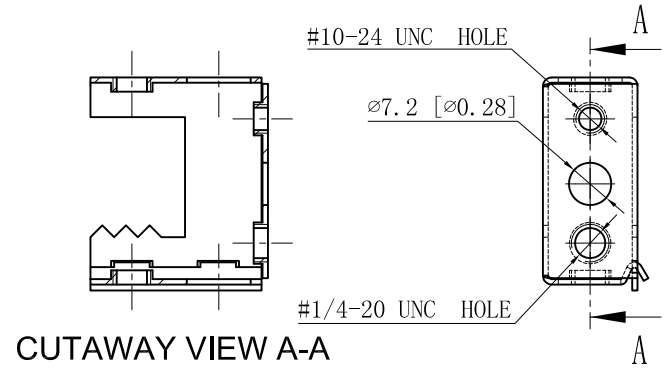
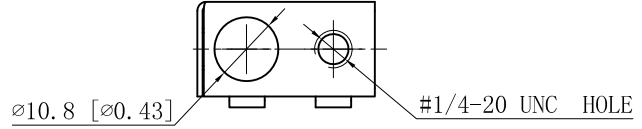


SIDES	BOTTOM
1 PCS 1-20×1 Screws Installed	
Material:Steel-0.035"-C1064 Spring Steel E-coat	



This data sheet is for reference only .GARVIN INDUSTRIES reserves the right to make changes to the design without prior notice.

DESCRIPTION
TRADE REFERENCE TERMS

STANDARD PACKING
100 PCS

TITLE			GARVIN INDUSTRIES		
STAMPED STEEL BEAM CLAMPS					
SIZE	DWG NO.			REV	
A4		BC-1		B	
DATA SHEET					