



LED BULLET FLOOD LIGHT

POWER & CCT SELECTABLE WITH SWOPTICS™

SUGGESTED APPLICATIONS

- General area and flood lighting
- Landscape, accent, and flagpole lighting
- Signage, monuments

FEATURES

- Power & CCT Selectable
- Built-in photocell with on/off switch
- Swoptics™ field-changeable lenses allow you to choose between 3 optical distributions
- Includes knuckle mount pre-installed and ground stake
- Compact durable design constructed of die-cast aluminum housing with bronze finish
- Sleek, modern appearance includes subtle built-in glare shield
- 108 fixtures in 1: (3) power settings x (3) CCT settings, x (2) on/off photocell x (3) lens options x (2) mounting options



FREQUENCY: 50/60Hz

POWER FACTOR, THD %:
0.9 POWER FACTOR
THD ≤20% AT FULL LOAD(30W)
THD≤20% (20W)
THD≤30% (10.5W)

DIMMABLE: 0-10V,
DOWN TO 10%

CRI: 80

BEAM ANGLE: 15° SPOT / 25°
MEDIUM / 40° WIDE

LIFETIME (L70): 50,000 HOURS

LENS TYPE: POLYCARBONATE

IK (IMPACT RATING): IK08

POWER CORD / LEADS INFO:
TYPE AND LENGTH:
STW-5*18 AWG 7"



BUILT FOR DURABILITY.
BUILT FOR RELIABILITY.
BUILT FOR WORK.™

800-666-2852 | SOUTHWIRE.COM

©2024 Southwire Company, LLC. All rights reserved.
 *Registered Trademark & ™Trademark of Southwire Company, LLC.



LED BULLET FLOOD LIGHT

POWER & CCT SELECTABLE WITH SWOPTICS™



Convenient all-in-one knockout control center. Includes photocell on/off, power and CCT switches. Switches are easily accessed by using the changing tool to remove the clear knockout.



Precision aiming. Pre-installed knuckle mount includes visual degree indicators. Knuckle fits 1/2" NPS junction box covers.

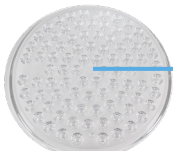
Plenty of room. Includes 8.5" tall ground stake made of durable polycarbonate with slots on two sides that allow for 7" long 18 AWG power cord.



15° Spot



25° Medium



40° Wide

Fool-proof alignment. Includes lens identification markings and notch.



Field-changeable lenses. Allows you to choose between 3 optical distributions. Easily swap lenses using changing tool included.

Quick and worry-free setup. Convenient embossed directional arrows.

**BUILT FOR DURABILITY.
BUILT FOR RELIABILITY.
BUILT FOR WORK.™**



LED BULLET FLOOD LIGHT

POWER & CCT SELECTABLE WITH SWOPTICS™

ITEM SPECIFICATIONS | ORDER INFO

MODEL #	ORDER CODE	UPC	INPUT VOLTAGE MAX. INPUT CURRENT	POWER SELECTABLE WATTAGE	CCT SELECTABLE	LUMENS	EFFICACY (LPW)	REPLACEMENT WATTAGE
BFL-30PCS-KNGS	77848	032886191015	120-347V 0.096A 0.183A 0.275A	10.5W	3000K	1,330	133	30W-50W
					4000K	1,400	140	
					5000K	1,400	140	
					3000K	2,660	133	
					4000K	2,800	140	
					5000K	2,800	140	
				20W	3000K	4,000	133	50W-70W
					4000K	4,200	140	
					5000K	4,200	140	
					3000K	4,000	133	
					4000K	4,200	140	
					5000K	4,200	140	
30W	3000K	4,000	133	70W-100W				
	4000K	4,200	140					
	5000K	4,200	140					
	3000K	4,000	133					
	4000K	4,200	140					
	5000K	4,200	140					

DEFAULT SETTINGS: 30 WATTS AT 5000K WITH 40° WIDE LENS

DLC INFORMATION

MODEL #	DLC PRODUCT ID	DLC CLASSIFICATION	DLC PRIMARY USE
BFL-30PCS-KNGS	S-HQX3SW	Premium	ARCHITECTURAL FLOOD AND SPOT LUMINAIRES

ORDERING GUIDE

Example: BFL-30PCS-KNGS

PRODUCT	POWER SELECTABLE [WATTAGE]	CCT SELECTABLE	MOUNT TYPE
BFL = BULLET FLOOD LIGHT	30W = 10.5W 20W 30W	3000K 4000K 5000K	KN = KNUCKLE GS = GROUND STAKE

DIMENSIONS | WEIGHT

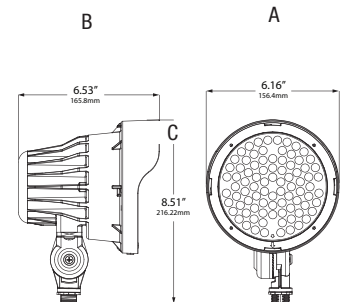
MODEL #	A	B	C	WEIGHT (LBS)	PALLET QUANTITY (PCS)* 48" X 40" X 60"
BFL-30PCS-KNGS	6.16"	6.53"	8.51"	3.20	120

*pallet qty's may vary

NOTES

Dimming with standard 0-10V control system or wall dimmers. Dimming complies with IEC60929 Annex E. Fixture may not be compatible with all dimmers. Dimming performance may vary based on selected dimmer. Visit Southwire.com or contact your Southwire representative for up-to-date dimmer compatibility information
FIVE (5) YEAR LIMITED WARRANTY: SOUTHWIRE COMPANY, LLC. For details visit: <https://southwire.com/resources/warranties>
 This device complies with Part 15 of the FCC Rules. Operation is subject to the following two conditions: (1) this device may not cause harmful interference, and (2) this device must accept any interference received, including interference that may cause undesired operation.

Specifications are subject to change without prior notice. Replacement wattage shown depends on application and fixture.



**BUILT FOR DURABILITY.
BUILT FOR RELIABILITY.
BUILT FOR WORK.™**

800-666-2852 | SOUTHWIRE.COM

©2024 Southwire Company, LLC. All rights reserved.
 *Registered Trademark & ™Trademark of Southwire Company, LLC.