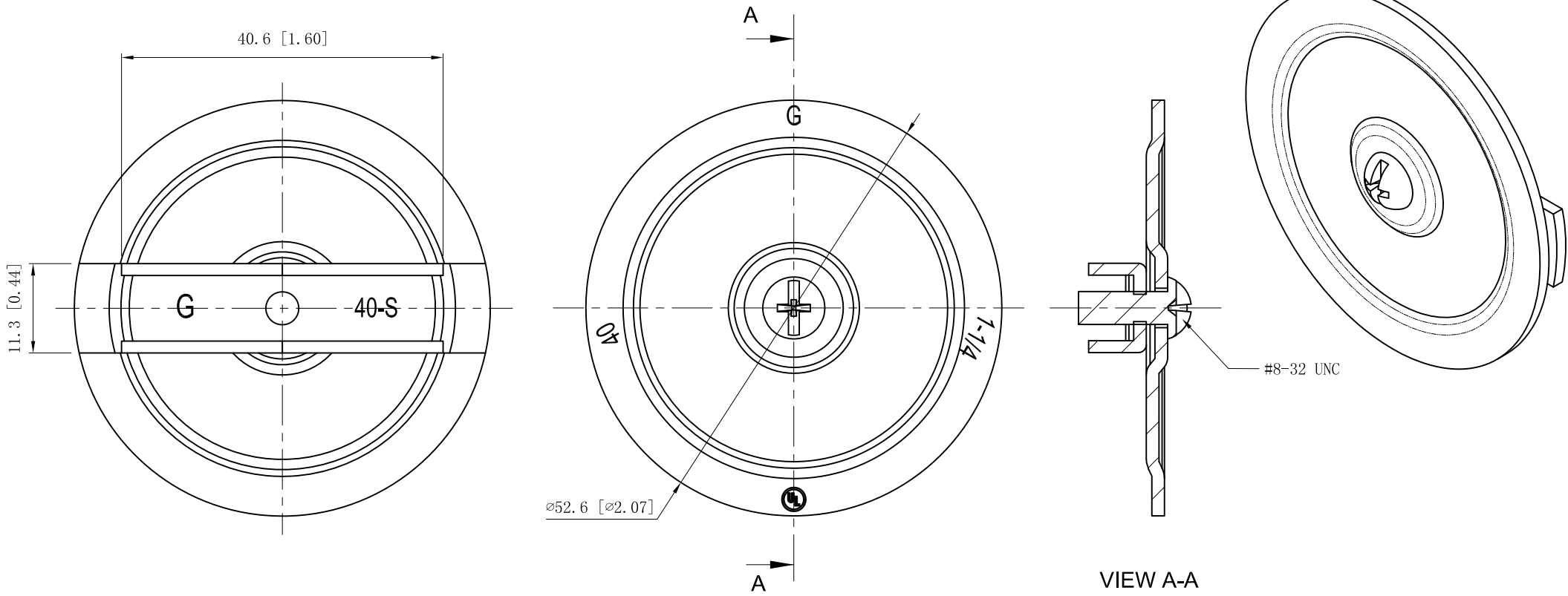


SIDES	BOTTOM
1 PCS 8-32×1/2 Screws Installed	
Material:Steel-0.0625"-C.R.S Zinc Plated	



DESCRIPTION
TRADE REFERENCE TERMS

This data sheet is for reference only .GARVIN INDUSTRIES reserves the right to make changes to the design without prior notice.

STANDARD PACKING	<h1 style="text-align: center;">GARVIN INDUSTRIES</h1> <h2 style="text-align: center;">KNOCKOUT SEALS</h2>						
10 PCS							
	<table border="1"> <tr> <td>SIZE</td> <td>DWG NO.</td> <td>REV</td> </tr> <tr> <td>A4</td> <td>KOS-125</td> <td>A</td> </tr> </table>	SIZE	DWG NO.	REV	A4	KOS-125	A
SIZE	DWG NO.	REV					
A4	KOS-125	A					
	DATA SHEET						