



Southwire™

FIXTURE SUPPORTS **TWIST CLIP**

APPLICATION

Twist clips are easily installed with no tools and provide a solution to support wire, hooks, or chains from T-Grids

FEATURES

Easy no-tool installation
Plain hole

MATERIAL/FINISH

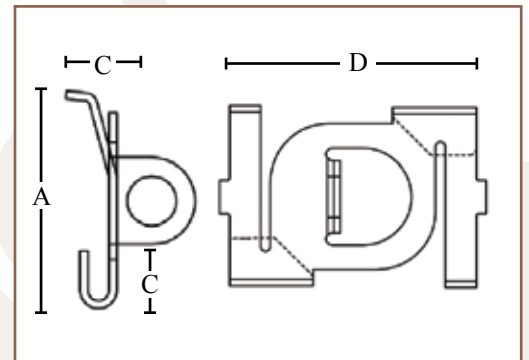
Spring Steel/GEOSEAL™

CERTIFICATIONS

UL Standard: UL 2239



4G16HTZ



PART #	T-GRID SIZE	HOLE SIZE	STATIC LOAD (LBS.)	A	B	C	D	BOX QTY.
4G16HTZ	15/16"	1/4" – Plain	40	1.094"	.65"	.433"	1.60"	100

Rev. 1, 03/23

**BUILT FOR DURABILITY.
BUILT FOR RELIABILITY.
BUILT FOR WORK.™**

1-855-798-6657 | SOUTHWIRE.COM

©2023 Southwire Company, LLC. All rights reserved.
*Registered Trademark & ™Trademark of Southwire Company, LLC.