



Southwire™

BEAM/PURLIN

CONDUIT TO BEAM CLIPS BOTTOM MOUNT

APPLICATION

Push-in conduit hanger/beam clip assemblies are used when EMT or Rigid conduit must be supported below a structural beam.

FEATURES

Riveted conduit hanger rotates 360° to accommodate various directions of conduit

Light-duty beam clamp provides a 25 lbs. static load capacity
Additional 10-24 and 1/4"-20 mounting holes on beam clamp

MATERIAL/FINISH

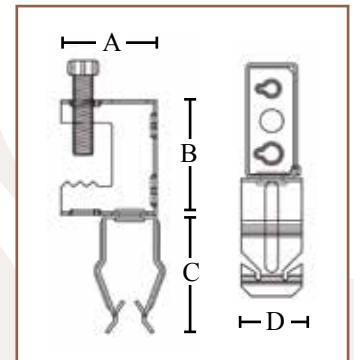
Spring Steel/GEOSEAL™

CERTIFICATIONS

UL Standard: UL 2239



BC12PTZ



PART #	EMT SIZE	FLANGE SIZE	THREAD HOLE SIZE	LOAD CAPACITY (LBS.)	A	B	C	D	BOX QTY.
BC8PTZ	1/2"	1/2"	10-24 & 1/4"-20	100	1.18"	1.42"	1.46"	.748"	100
BC12PTZ	3/4"	1/2"	10-24 & 1/4"-20	100	1.18"	1.42"	1.67"	.748"	100
CHP-100-TM	1"	1/2"	10-24 & 1/4"-20	100	1.18"	1.42"	2.37"	.748"	50

Rev. 0, 03/23

**BUILT FOR DURABILITY.
BUILT FOR RELIABILITY.
BUILT FOR WORK.™**

1-855-798-6657 | SOUTHWIRE.COM

©2023 Southwire Company, LLC. All rights reserved.
*Registered Trademark & ™Trademark of Southwire Company, LLC.