



Southwire™

CABLE/CONDUIT SUPPORT

SCREW-ON CABLE TO STUD CLIP

APPLICATION

Screws on to studs to provide a cable management solution for MC/AC cables. Results in a clean and professional installation.

FEATURES

Supports 14-3 to 10-2 MC/AC cables
Can be used on metal or wood studs

MATERIAL/FINISH

Steel/Galvanized

CERTIFICATIONS

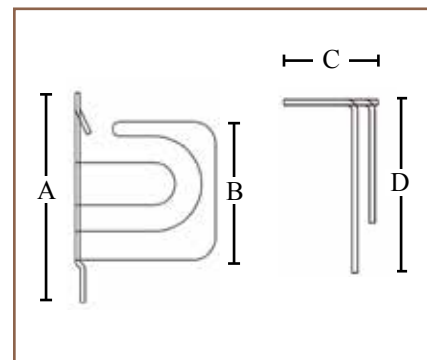
UL Standard: UL 2239



MCS100TZ



PART #	A	B	C	D	BOX QTY.
MCS100TZ	3.66"	2.42"	1.29"	2.46"	100



Rev. 0, 03/23

**BUILT FOR DURABILITY.
BUILT FOR RELIABILITY.
BUILT FOR WORK.™**

1-855-798-6657 | SOUTHWIRE.COM

©2023 Southwire Company, LLC. All rights reserved.
*Registered Trademark & ™Trademark of Southwire Company, LLC.