

## LED Exit Signs - NYC Approved

### EDGE-LIT RECESSED MOUNT



### Easy to Install Safety Solutions for NYC

Topaz's LED Edge-Lit Exit Signs are the ideal safety solution for NYC office, industrial, retail and public places. Always ensure exits are clearly marked, even in the event of a power failure with the built-in 90-minute battery backup. These modern units have a clean look, with clear or mirrored panel and 8" red EXIT letters. Recessed installation is easy with the included bar hangers.

### FEATURES

- New York City approved
- Meets NFPA 70, NFPA 101, UL924, NEC/OSHA Standards
- Battery backup with accessible test button for 90 minutes of illumination during a power outage
- Clear, single face or mirrored, double face configurations available
- Configurable arrows
- Recessed mount, bar hangers included

### SUGGESTED APPLICATIONS

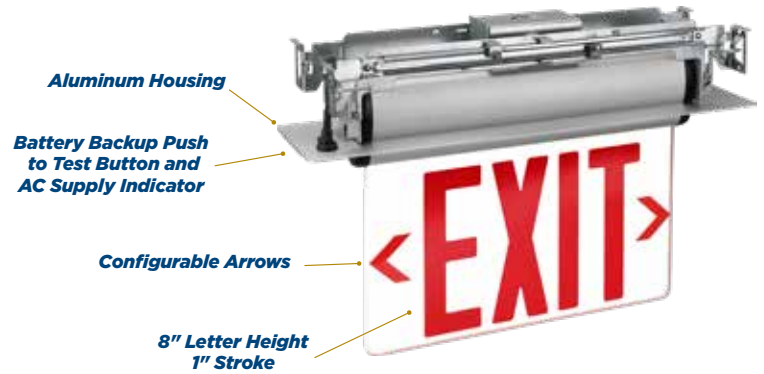
- Office, industrial, retail and other public spaces
- New York City applications



## LED Exit Signs - NYC Approved EDGE-LIT RECESSED MOUNT

### GENERAL SPECIFICATIONS

**Input Voltage, Frequency Hz:** 120/277V, 60Hz  
**Emergency Backup:** Yes  
**Emergency Duration / Run Time:** 90 minutes  
**Recharge Time :** 24 hours  
**Recycle Times:** 500 cycles  
**Mounting Height:** 7.5 ft to 15 ft  
**Location Rating:** Damp  
**Ambient Operating Temperature :** 50°F to 104°F  
**Battery Type:** 4.8V Ni-Cad<sup>1</sup>



### ITEM SPECIFICATIONS / ORDER INFO

Catalog Number	Order Code	UPC	Lumens / Illuminance	Watts	Input Amps 120/277V	Letter Color	Panel Type	Number of Faces
ESEL/SFR/RCL/B-NYC	71101	751338035768	Average 50 cd/m <sup>2</sup>	3W	31/14mA	Red	Clear	Single Face
ESEL/DFR/RMR/B-NYC	71102	751338035782	Average 50 cd/m <sup>2</sup>	3W	31/14mA	Red	Mirrored	Double Face

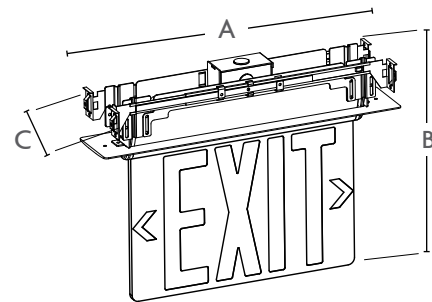
### NOMENCLATURE

Example: ESEL/SFR/RCL/B-NYC

**ESEL** = Exit Sign Edge-Lit / **SF** = Single face / **R** = Recessed Mount / **CL** = Clear / **B** = Battery Backup - **NYC** = NYC Approved  
**DF** = Double face / **MR** = Mirrored

### PRODUCT DIMENSIONS / LINE DRAWING

Catalog Number	(A)	(B)	(C)	Weight
ESEL/XFR/RXX/B-NYC	18.2"	12.5"	4.43"	5.55 Lbs.



#### NOTES:

<sup>1</sup>On all Exit and Emergency fixtures the battery will be prorated for 5 years.

Specifications subject to change without prior notice.

This device complies with Part 15 of the FCC Rules. Operation is subject to the following two conditions: (1) this device may not cause harmful interference, and (2) this device must accept any interference received, including interference that may cause undesired operation.

**WARNING:** Some products included in this specification sheet may be subject to the warning requirements of California's Proposition 65. Please refer to your product packaging for more information.