

LED PLT Retrofit - Ballast Bypass CCT SELECTABLE



8W Horizontal
2700K|3000K|3500K



8W Horizontal
3500K|4000K|5000K



8W Vertical
2700K|3000K|3500K



8W Vertical
3500K|4000K|5000K

SUGGESTED APPLICATIONS

- Replacement for 13W/18W/26W 2-pin G24d or 4-pin G24q CFL lamps
- Suitable for enclosed fixtures¹ and rated for damp locations
- Ideal for indoor recessed lighting and wall sconces in commercial, office, hospitality and retail spaces

FEATURES

- 3 CCT Selectable with warm to cool options
- UL type B, connects directly without a ballast
- Offers up to 50% energy savings and 5X longer life expectancy than pin-based CFL lamps
- Superior lamp efficacy, up to 131 LPW
- White, polycarbonate construction with aluminum heat sink, frosted lens
- Horizontal models are rotatable up to 300 degrees



LED PLT Retrofit - Ballast Bypass CCT SELECTABLE

GENERAL SPECIFICATIONS

Input Voltage, Frequency: 120-277V, 50/60Hz
Power Factor, THD: 0.9, 20%
Input Current: 75mA
Non-dimmable
Minimum CRI: 83
Beam Angle: 120°

Functional Life (L70): 50,000 hours
Location Rating: Suitable for dry and damp locations
Ambient Operating Temperature: -4°F to 113°F
Suitable for Enclosed Fixtures
Lamp Base Typ: 2-pin G24d

ITEM SPECIFICATIONS / ORDER INFO

Catalog Number	Order Code	Operating Position	Max. Lumens	Wattage	Lamp Efficacy (LPW)	CCT
LPLTB-8W-CTSC-H	73657	Horizontal	1,000 1,050 1,050	8W	125 131 131	3500K 4000K 5000K
LPLTB-8W-CTSC-V	73659	Vertical	1,000 1,050 1,050	8W	125 131 131	3500K 4000K 5000K
LPLTB-8W-CTSW-H	73656	Horizontal	950 975 1,000	8W	119 122 125	2700K 3000K 3500K
LPLTB-8W-CTSW-V	73658	Vertical	950 975 1,000	8W	119 122 125	2700K 3000K 3500K

NOMENCLATURE

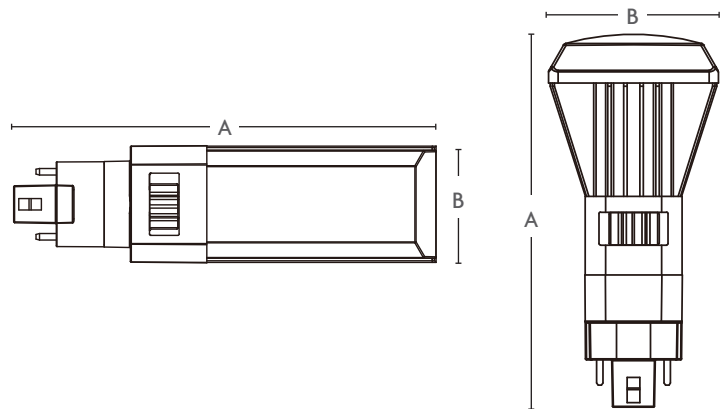
LPLT = Lamp PLT - B = UL Type B Ballast Bypass - 8W = 8 Watt - CTS = Color Temperature Selectable C = Cool - H = Horizontal Operating Position
W = Warm - V = Vertical Operating Position

ENERGY SAVINGS Based on 12 hours/day and \$0.11/kWh

Catalog Number	LED Lamp Wattage	Fluorescent Replacement Wattage	Watts Saved	Yearly Savings	5 Year Savings
LPLTB-8W-CTSx-x	8W	13W 18W 26W	5W 10W 18W	\$2 \$5 \$9	\$12 \$24 \$43

DIMENSIONS / WEIGHTS

Catalog Number	MOL (A)	MOD (B)	Weight
LPLTB-8W-CTSx-H	5.9"	1.6"	0.5 Lbs.
LPLTB-8W-CTSx-V	4.6"	2.1"	0.5 Lbs.



NOTES

¹Suitable for enclosed fixtures provided the ambient temperature inside fixture does not exceed 113° F.
This device complies with Part 15 of the FCC Rules. Operation is subject to the following two conditions: (1) this device may not cause harmful interference, and (2) this device must accept any interference received, including interference that may cause undesired operation.
FIVE (5) YEAR LIMITED WARRANTY: SOUTHWIRE COMPANY, LLC. For details visit: www.topaz-usa.com/warranty
Specifications subject to change without prior notice. Replacement wattage shown depends on application and fixture.