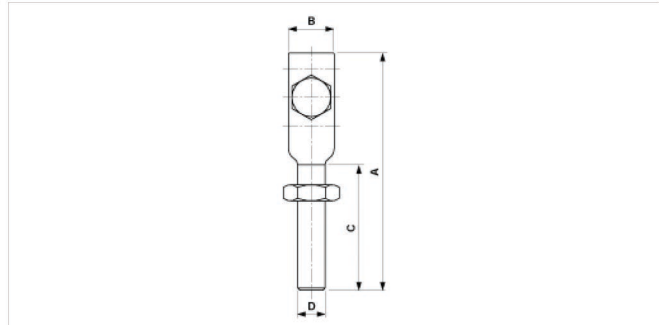


# Supporting clamp for switches and crossings, 1/2", threaded length L = 20 mm

Item number D0528-02



## Dimensions

B: 20 mm

C: 20 mm

D: 1/2"

A: 69 mm

## Material and weight

Material: CuNiSi

Weight: 0.170 kg



**Southwire™**



A COLAS RAIL COMPANY

Contact Us: [Transit@southwire.com](mailto:Transit@southwire.com)