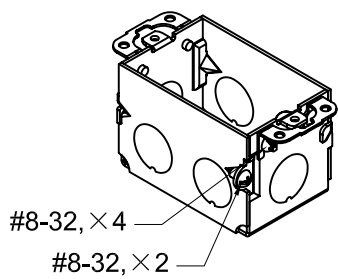
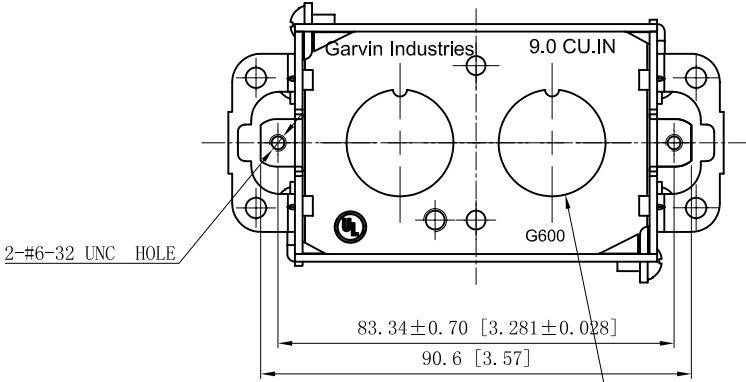
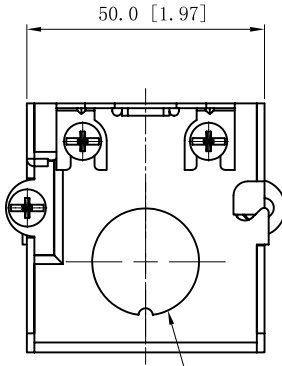


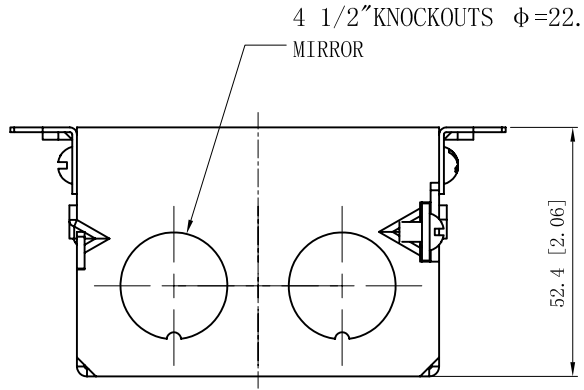
SIDES	BOTTOM
6 1/2" KNOCKOUTS	2 1/2" KNOCKOUTS
4 PCS 8-32×3/16 Screws Installed	
2 PCS 8-32×1/4 Screws Installed	
Material:Steel-0.0625"-G60 Galvanized	



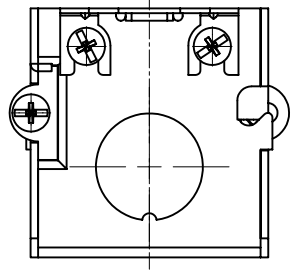
2 1/2" KNOCKOUTS  $\phi = 22.50$  [  $\phi = 0.886$  ]



2 1/2" KNOCKOUTS  $\phi = 22.50$  [  $\phi = 0.886$  ]  
MIRROR



4 1/2" KNOCKOUTS  $\phi = 22.50$  [  $\phi = 0.886$  ]  
MIRROR



This data sheet is for reference only .GARVIN INDUSTRIES reserves the right to make changes to the design without prior notice.

DESCRIPTION
TRADE REFERENCE TERMS

STANDARD PACKING
50 PCS

<b>GARVIN INDUSTRIES</b>		
TITLE GANGABLE SWITCH BOXS WITH CONDUIT KNOCKOUTS		
SIZE A4	DWG NO. G600	REV B
DATA SHEET		