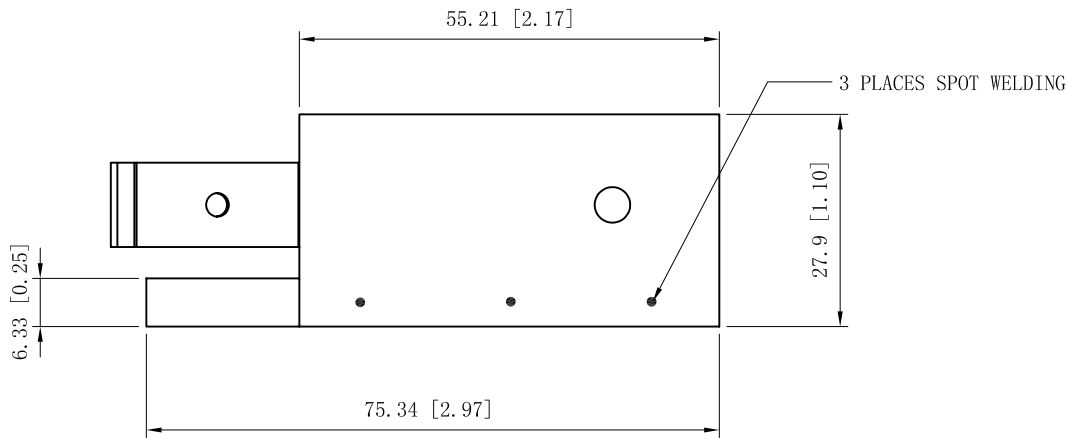
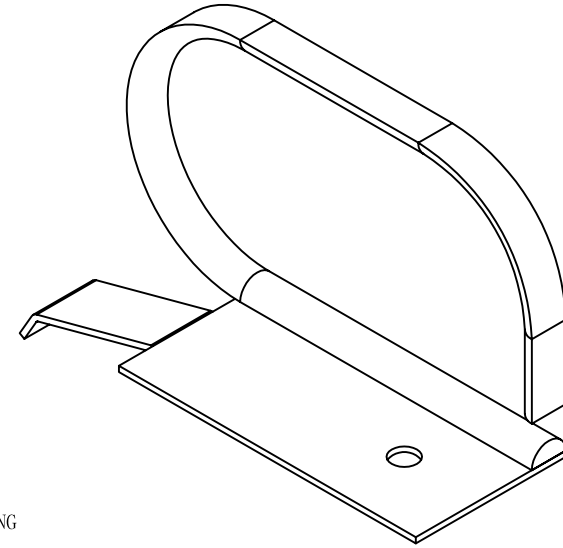
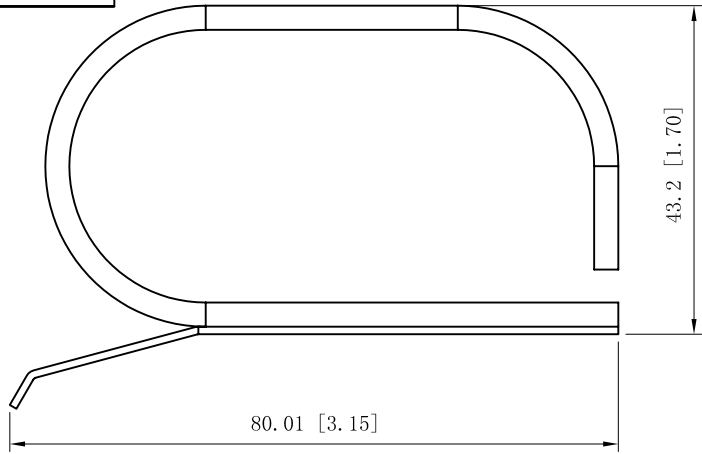


SIDES	BOTTOM
Material: Steel-0.04"-C. R. S Powder Coating Black	



DESCRIPTION
TRADE REFERENCE TERMS

This data sheet is for reference only .GARVIN INDUSTRIES reserves the right to make changes to the design without prior notice.

STANDARD PACKING
100 PCS

TITLE			REV		
GARVIN INDUSTRIES			B		
BACKBOARD DISTRIBUTION "D" RINGS					
SIZE	DWG NO.				
A4	17CB				
DATA SHEET					