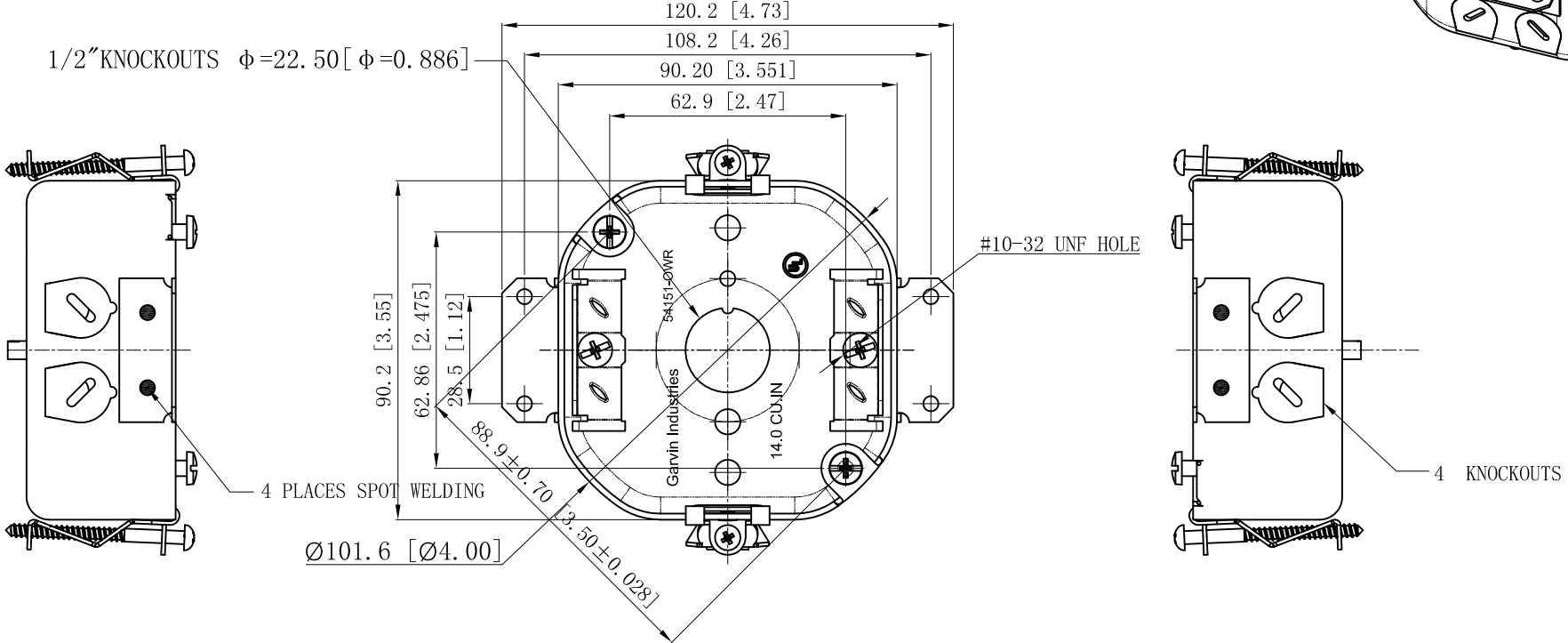
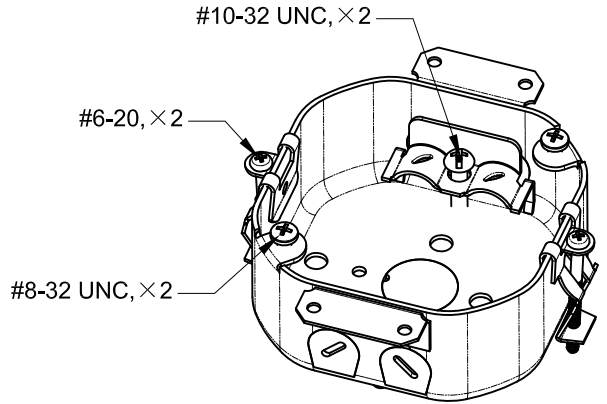
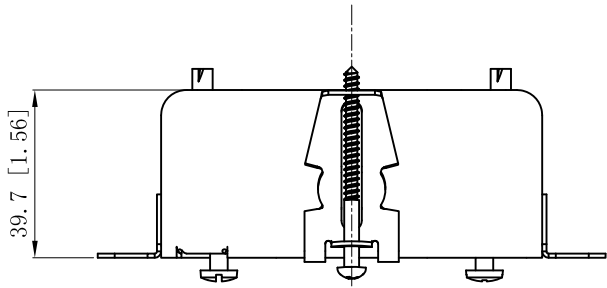


<b>SIDES</b>	<b>BOTTOM</b>
4 KNOCKOUTS	1/2"KNOCKOUTS
2 Pcs #8-32×1/2" screw install	
2 Pcs #10-32×1" screw install	
2 Pcs #6-20×1-7/8" screw install	
Material:Steel-0.0625"-G60 Galvanized	



DESCRIPTION
TRADE REFERENCE TERMS

This data sheet is for reference only. GARVIN INDUSTRIES reserves the right to make changes to the design without prior notice.

STANDARD PACKING	<h1 style="text-align: center;">GARVIN INDUSTRIES</h1> <h2 style="text-align: center;">4" OCTAGON BOXES 1-1/2" DEEP</h2>		
	TITLE		
	SIZE	DWG NO.	REV
	A4	54151-OWR	
	DATA SHEET		