



# Southwire™

## 90° LIQUIDTIGHT CONNECTORS

### BLACK - NYLON

#### FEATURES

- Liquidtight, raintight, oiltight
- For flexible non-metallic liquidtight tubing
- Easy assembly avoids having to remove the compression nut
- 90° angle
- Black

#### APPLICATION

- For use in wet and dry locations

#### STANDARD MATERIAL

- 6/6 Nylon

#### CERTIFICATIONS

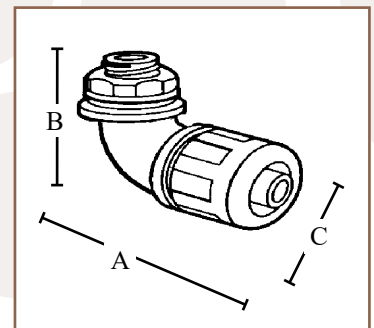
- cULus



P490B



PART #	SIZE	INNER QTY.	MASTER QTY.	WEIGHT/CASE (LBS.)	A	B	C
P490B	3/8" 1/2" K0	10	100	9	2.56"	2.14"	1.09"
P491B	1/2"	10	100	8	2.56"	2.14"	1.09"
P492B	3/4"	10	100	11	2.84"	2.38"	1.30"
P493B	1"	5	50	8	2.25"	2.81"	1.50"
P494B	1-1/4"	2	20	8	3.96"	3.36"	2.40"
P495B	1-1/2"	2	20	10	4.13"	3.45"	2.68"
P496B	2"	1	10	9	4.68"	4.04"	3.31"



Rev. 0, 01/23

**BUILT FOR DURABILITY.  
BUILT FOR RELIABILITY.  
BUILT FOR WORK.™**

1-855-798-6657 | SOUTHWIRE.COM

©2023 Southwire Company, LLC. All rights reserved.  
\*Registered Trademark & ™Trademark of Southwire Company, LLC.