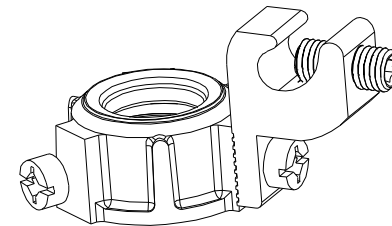
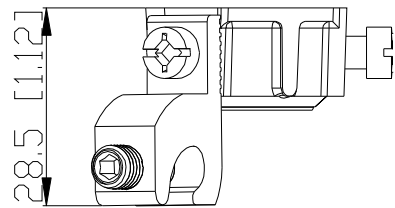
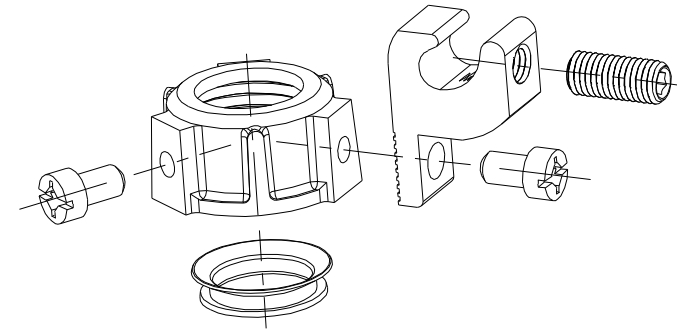
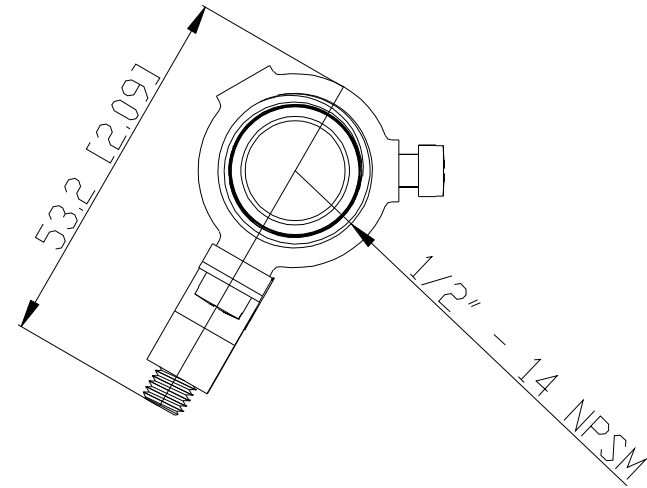


SIDES	BOTTOM
Material: Malleable Iron	



DESCRIPTION

TRADE REFERENCE TERMS

STANDARD PACKING
25 PCS

GARVIN INDUSTRIES		
TITLE 1/2" Univ Ground Bushing		
SIZE A4	DWG NO. DS-UGB-50	REV A