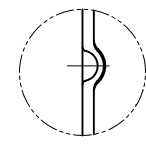
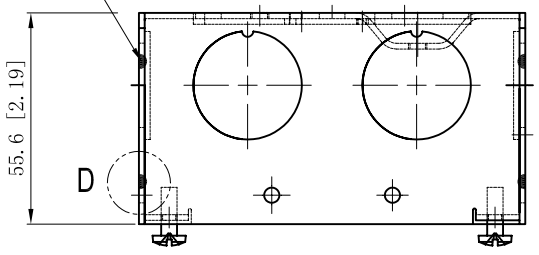


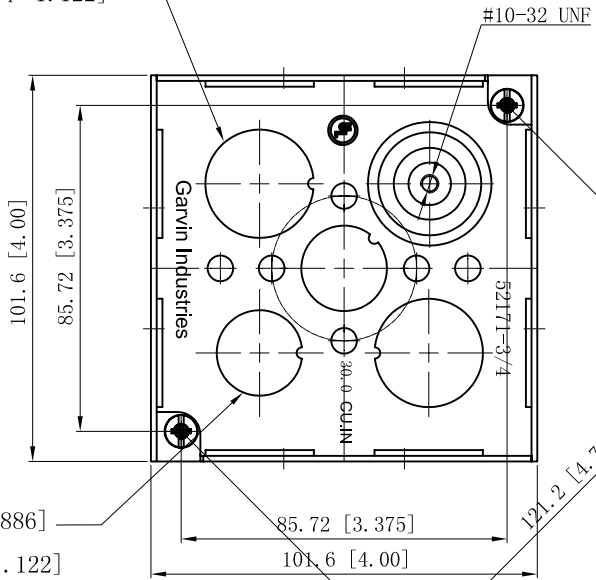
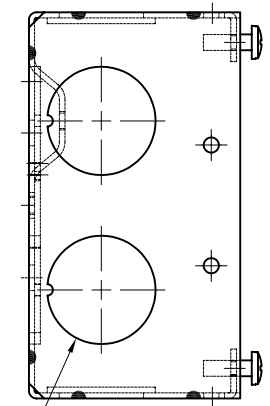
SIDES	BOTTOM
8 3/4" KNOCKOUTS	2 1/2" KNOCKOUTS
	2 3/4" KNOCKOUTS
	1 Ground Hump
2 PCS 8-32x1/2 Screws Installed	
Material: Steel-0.0625"-G60 Galvanized	

12 PLACES SPOT WELDING

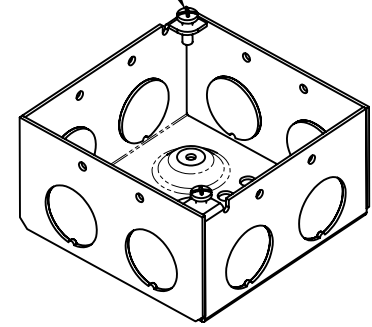


WELDING STYLE DETAIL VIEW D

2 3/4" KNOCKOUTS $\phi=28.50$ [$\phi=1.122$]



#8-32, x2



2 1/2" KNOCKOUTS $\phi=22.50$ [$\phi=0.886$]

8 3/4" KNOCKOUTS $\phi=28.50$ [$\phi=1.122$]

This data sheet is for reference only. GARVIN INDUSTRIES reserves the right to make changes to the design without prior notice.

DESCRIPTION
TRADE REFERENCE TERMS

STANDARD PACKING	TITLE		
	GARVIN INDUSTRIES		
25 PCS	4" SQUARE BOXES 2-1/8" DEEP		
	SIZE	DWG NO.	REV
	A4	52171-3/4	A
DATA SHEET			