

Item:
 LHB80W-840-EX39
 LHB80W-850-EX39
 LHB115W-840-EX39
 LHB115W-850-EX39



LED HIGHBAY HID RETROFIT INSTALLATION INSTRUCTIONS

READ AND FOLLOW ALL SAFETY INSTRUCTIONS!



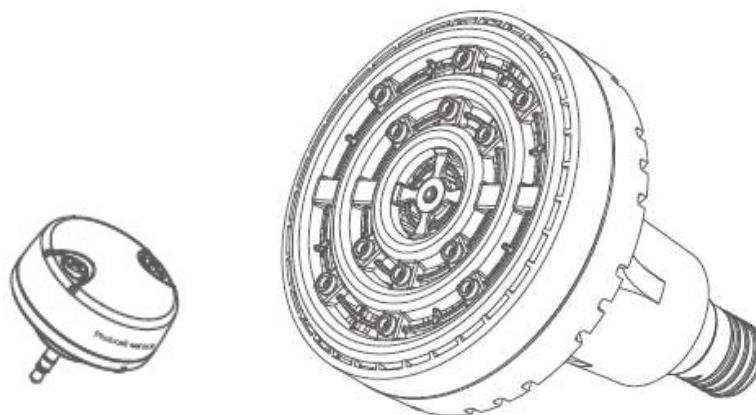
WARNING

- Make all electrical and ground connections in accordance with local codes or the National Electrical Code. If you are not familiar with these codes and requirements, consult a qualified electrician. This Professional should be familiar with the construction and operation of this product and hazards involved. Failure to do so may result in serious personal injury.
- To reduce the risk of fire, electric shock, personal injury, or property damage, please read and follow all safety instructions. If you do not understand these instructions or if any additional information is required, contact your local Topaz representative. Retain these instructions for maintenance reference.
- Do not exceed the allowed supply voltage marked on the luminaire label information.
- Disconnect power at the circuit breaker panel before any installation.
- LED lamps require all ballasts, capacitors, and ignitors to be bypassed or removed.



CAUTION

- Do not expose wire to any sharp objects such as sheet metal to prevent wiring damage or abrasion.
- While the light is on, please avoid direct eye exposure.
- Combustible material should be kept away from fixture/LENS.
- Do not make or alter any open holes in any enclosure or any electrical component during installation.
- Do not use when the enclosure is damaged or broken in any way.
- To avoid risk of burn, be sure fixture/lamp temperature is cool enough to touch before handling.
- Make sure luminaire is mounted to a secure structure using appropriate mounting hardware to install fixture/lamp rated for your application. Failure to do so could result in serious injury.
- This device is not intended to be used with any emergency lighting fixture.
- Operating temperature of this lamp is -22°F to 140°F.



Model	Input Voltage	Frequency	Power	Rated Current
LHB80W-840-EX39	120-277Vac	60Hz	80W	.67A(120Vac) .29A(277Vac)
LHB80W-850-EX39	120-277Vac	60Hz	80W	.67A(120Vac) .29A(277Vac)
LHB115W-840-EX39	120-277Vac	60Hz	115W	.99A(120Vac) .42A(277Vac)
LHB115W-850-EX39	120-277Vac	60Hz	115W	.99A(120Vac) .42A(277Vac)

Item:
 LHB80W-840-EX39
 LHB80W-850-EX39
 LHB115W-840-EX39
 LHB115W-850-EX39



LED HIGHBAY HID RETROFIT INSTALLATION INSTRUCTIONS

Product Dimensions:

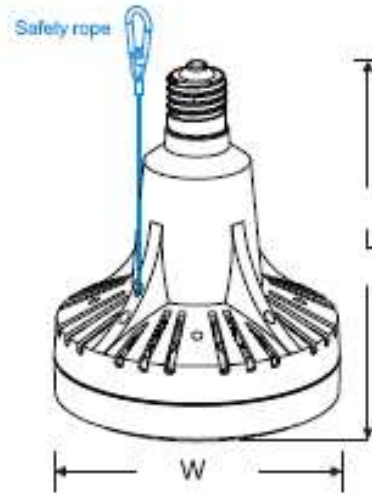
Watt	Lamp Base	Lamp Dimensions Unit: Inches
80	E39	9-1/4" X 7-1/2"
115	E39	9-3/8" X 8-1/2"

Note:

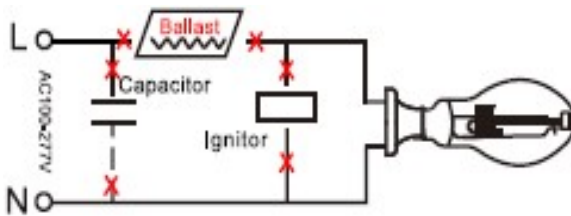
Minimum fixture size (L x W x H)

80W: 17" x 17" x 10"

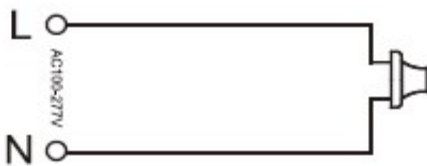
115W: 17" x 17" x 10"



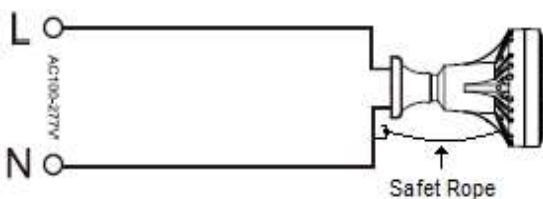
Installation Instructions:



(Fig1)



(Fig2)



(Fig3)

Step 1:

Turn off power before installation.

Step 2:

Remove the old Ballast, capacitor and ignitor as shown in *figure 1*.

Step 3:

Connect to the EX39 socket directly as shown in *figure 2*.

Step 4:

Screw the LED lamp into the EX39 socket. Attach safety rope (connected to lamp) to a secure structure near the base as shown in *figure 3*.

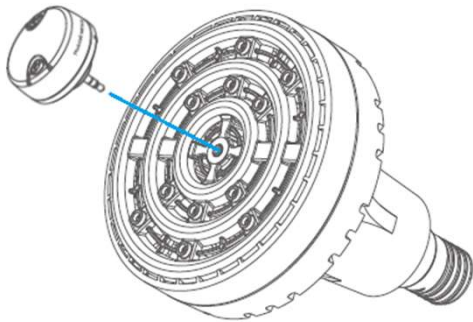
Item:

LHB80W-840-EX39
LHB80W-850-EX39
LHB115W-840-EX39
LHB115W-850-EX39



LED HIGHBAY HID RETROFIT INSTALLATION INSTRUCTIONS

Motion Sensor Installation & Settings:



Step 1:

Set STANDBY DIM LEVEL (% of light the lamp will output when no motion is detected) and HOLD TIME (amount of time the lamp will stay on after motion is detected) for the installed environment.

Step 2:

Plug the motion sensor into the bottom of the lamp. *See example to the left.*

*****Note: make sure lamp is off before installing the motion sensor.**