



Southwire™

COMBINATION COUPLINGS

LIQUIDTIGHT TO RIGID - STEEL

FEATURES

- Liquidtight, raintight, oiltight
- NPSM thread
- Labor saving

APPLICATION

- Use to join liquidtight metal conduit (LFMC) to Rigid/IMC conduit between 2 different raceways
- Suitable for use in wet locations
- Raintight, concrete tight

STANDARD MATERIAL

- Steel

STANDARD FINISH

- Zinc plated

CERTIFICATIONS

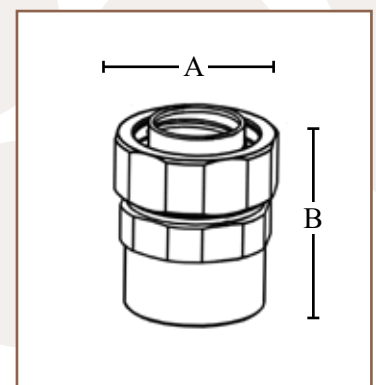
- UL Standard: UL 514B
- Fed. Spec: A-A-50553
- NEMA: FB 1



50SLT



PART #	SIZE	INNER QTY.	MASTER QTY.	C	A	B
50SLT	3/8" - 1/2"	20	200	33	1.10"	1.78"
51SLT	1/2"	20	200	29	1.17"	1.78"
52SLT	3/4"	10	100	23	1.43"	1.94"
53SLT	1"	5	50	18	1.76"	2.19"
54SLT	1-1/4"	5	50	30	2.16"	2.23"
55SLT	1-1/2"	-	12	8	2.38"	2.62"
56SLT	2"	-	5	5	2.87"	2.67"



Rev. 0, 01/23

**BUILT FOR DURABILITY.
BUILT FOR RELIABILITY.
BUILT FOR WORK.™**

1-855-798-6657 | SOUTHWIRE.COM

©2023 Southwire Company, LLC. All rights reserved.
*Registered Trademark & ™Trademark of Southwire Company, LLC.