

LED Recessed Downlights

PERFORMANCE CCT SELECTABLE - SMOOTH TRIM



Five CCT Choices, One Easy to Install Luminaire

Topaz's Performance Recessed Downlighting offers a remarkable five option color correlated temperature selectable switch. This versatile luminaire is an easily adaptable choice for retrofit and new construction applications, in commercial, residential and multi-family settings. IC Rated for use in insulated and non-insulated ceilings, it is easily installed with friction (4" model) or V-spring (5/6" model) clips and includes E26 quick-connect adapter.

FEATURES

- 5 position CCT Selectable switch: 2700K, 3000K, 3500K, 4000K, and 5000K
- T20 and T24 JA8: can be used to comply with Lighting Appliance Efficiency Regulations and High Efficacy LED Light Source Requirements
- White housing with polycarbonate lens
- Optional color trims available in black, brushed nickel and bronze

SUGGESTED APPLICATIONS

- Retrofit and new construction
- Commercial, residential and multi-family buildings
- Closets, stairwells, soffits, bathroom, and living areas



LED Recessed Downlights

PERFORMANCE CCT SELECTABLE - SMOOTH TRIM

GENERAL SPECIFICATIONS

Input Voltage, Frequency Hz: 120V, 60Hz
Power Factor / THD %: >0.9, <25%
Lumens Per Watt: Up to 91
Dimmable: to 5% on select dimmers¹
Minimum CRI: 90

Functional Life (L70): 50,000 hours
Location Rating: Wet
Ambient Operating Temperature: -4°F to 113°F
Insulation Contact Rated
Airtight certified per ASTM-E283

ITEM SPECIFICATIONS / ORDER INFO

| Catalog Number | Order Code | UPC | Lumens | Watts | CCT | Beam Angle | Input Amps | ENERGY STAR |
|----------------------|------------|--------------|--------|-------|---------------------------------------|------------|------------|-------------|
| RTL/400WH/7W/CTS-46 | 71136 | 751338035072 | 550 | 6.5W | 2700K 3000K 3500K 4000K 5000K | 95° | 0.085A | Y |
| RTL/600WH/9W/CTS-46 | 71137 | 751338035089 | 770 | 9W | 2700K 3000K 3500K 4000K 5000K | 100° | 0.11A | Y |
| RTL/600WH/11W/CTS-46 | 71138 | 751338035096 | 1,000 | 11W | 2700K 3000K 3500K 4000K 5000K | 100° | 0.14A | Y |

NOMENCLATURE

Example: RTL/400WH/7W/CTS

RTL = Recessed Trim LED / **400WH** = 4" Smooth, White Trim / **7W** = 6.5 Watts / **CTS** = Color Temperature Selectable
600WH = 6" Smooth, White Trim / **9W** = 9 Watts
11W = 11 Watts

ACCESSORIES (SOLD SEPARATELY)

| Catalog Number | Order Code | Description | Compatible Downlight |
|----------------|------------|--------------------------|---|
| RTL4-TRIM-BL-S | 73680 | 4" Black Smooth | RTL/400WH/7W/CTS-46 |
| RTL4-TRIM-BN-S | 73684 | 4" Brushed Nickel Smooth | RTL/400WH/7W/CTS-46 |
| RTL4-TRIM-BZ-S | 73682 | 4" Bronze Smooth | RTL/400WH/7W/CTS-46 |
| RTL6-TRIM-BL-S | 73686 | 6" Black Smooth | RTL/600WH/9W/CTS-46, RTL/600WH/11W/CTS-46 |
| RTL6-TRIM-BN-S | 73691 | 6" Brushed Nickel Smooth | RTL/600WH/9W/CTS-46, RTL/600WH/11W/CTS-46 |
| RTL6-TRIM-BZ-S | 73688 | 6" Bronze Smooth | RTL/600WH/9W/CTS-46, RTL/600WH/11W/CTS-46 |

Black Smooth Trim



Brushed Nickel Smooth Trim



Bronze Smooth Trim



NOTES:

¹Dimming- This unit is designed to be compatible with most leading-edge type incandescent or LED style dimmers. (Dimming range 100% - 5%). Fixture performance may vary depending on dimmer manufacturer and circuit loading. For an up to date dimmer list visit www.topaz-usa.com.

Specifications subject to change without prior notice. Replacement wattage shown depends on application and fixture.

This device complies with Part 15 of the FCC Rules. Operation is subject to the following two conditions: (1) this device may not cause harmful interference, and (2) this device must accept any interference received, including interference that may cause undesired operation.

Updated January 2022

LED Recessed Downlights

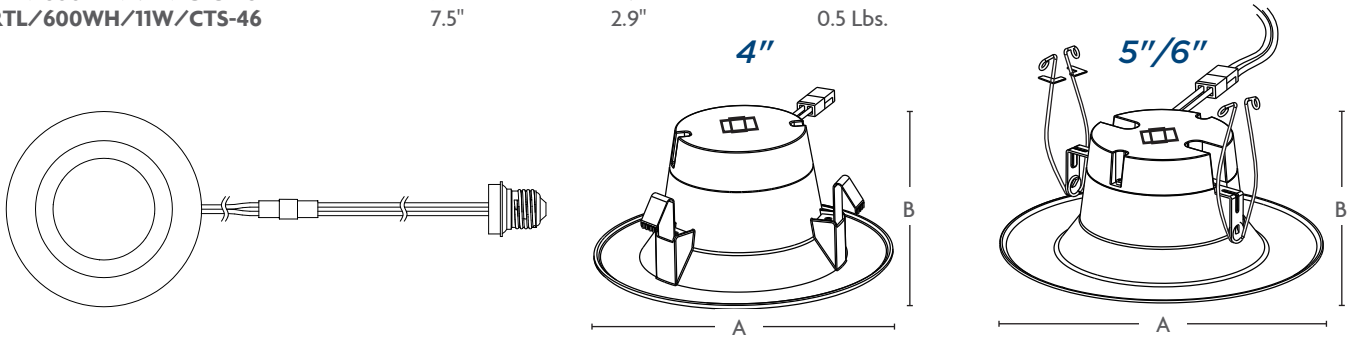
PERFORMANCE CCT SELECTABLE - SMOOTH TRIM

ENERGY SAVINGS

| Catalog Number | LED Watts | Incandescent Replacement Watts | Watts Saved | Yearly Savings | 5 Year Savings |
|---|-----------|--------------------------------|-------------|----------------|----------------|
| Based on 12 hours/day and .11¢/kwh | | | | | |
| RTL/400WH/7W/CTS-46 | 6.5W | 50W | 43.5W | \$20.96 | \$104.79 |
| RTL/600WH/9W/CTS-46 | 9W | 65W | 56W | \$26.98 | \$134.90 |
| RTL/600WH/11W/CTS-46 | 11W | 75W | 64W | \$30.84 | \$154.18 |

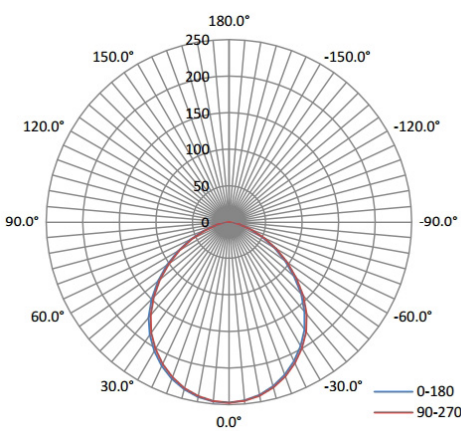
PRODUCT DIMENSIONS / LINE DRAWING

| Catalog Number | Diameter (A) | Depth (B) | Weight |
|----------------------|--------------|-----------|----------|
| RTL/400WH/7W/CTS-46 | 5.3" | 2.5" | 0.3 Lbs. |
| RTL/600WH/9W/CTS-46 | 7.5" | 2.9" | 0.5 Lbs. |
| RTL/600WH/11W/CTS-46 | 7.5" | 2.9" | 0.5 Lbs. |

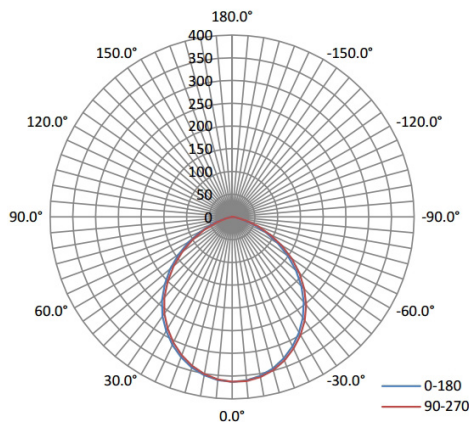


PHOTOMETRICS

RTL400WH/7W/CTS



RTL600WH/9W/CTS



RTL600WH/11W/CTS

