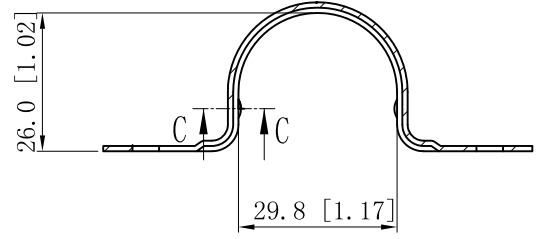


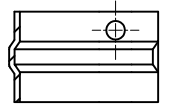
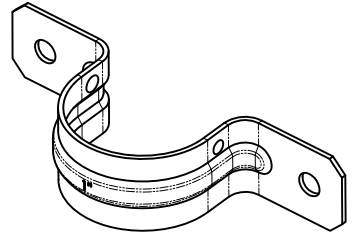
|  |        |
|--|--------|
| SIDES  | BOTTOM |
|  |        |
|  |        |
|  |        |
| Material: Steel - 0.039" - STAINLESS STEEL 304 |        |



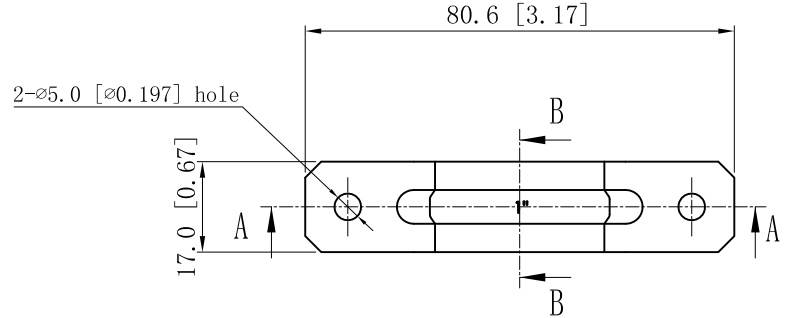
CUTAWAY VIEW C-C



CUTAWAY VIEW A-A



CUTAWAY VIEW B-B



|                       |
|-----------------------|
| DESCRIPTION           |
|                       |
|                       |
|                       |
| TRADE REFERENCE TERMS |
|                       |

This data sheet is for reference only .GARVIN INDUSTRIES reserves the right to make changes to the design without prior notice.

|                  |
|------------------|
| STANDARD PACKING |
| 25 PCS           |

|                          |                     |     |
|--------------------------|---------------------|-----|
| <b>GARVIN INDUSTRIES</b> |                     |     |
| TWO-HOLE STRAPS          |                     |     |
| SIZE<br>A4               | DWG NO.<br>THSS-100 | REV |
| DATA SHEET               |                     |     |