

LED Canopy Luminaire

LOW PROFILE - SQUARE



Built to Last

Our ruggedly designed LED canopy and parking garage lights promote safety and security in commercial and industrial environments. Suitable for indoor or outdoor applications, they are the perfect fit for parking garages, underground passageways, corridors and fuel stations. Additionally, the low profile design offers an architectural appeal and is ideal for applications with limited space. With an operating life greater than 50,000 hours and a 65% energy-savings compared to HID, these fixtures are sure to outlast the competition.

FEATURES

- Low profile design
- Higher lumen output
- Improved efficacy
- Easy installation
- Impact and UV resistant polycarbonate lens
- 10kV surge protection

APPLICATIONS

- Parking garages
- Stairwells
- Exterior canopy settings
- Carports

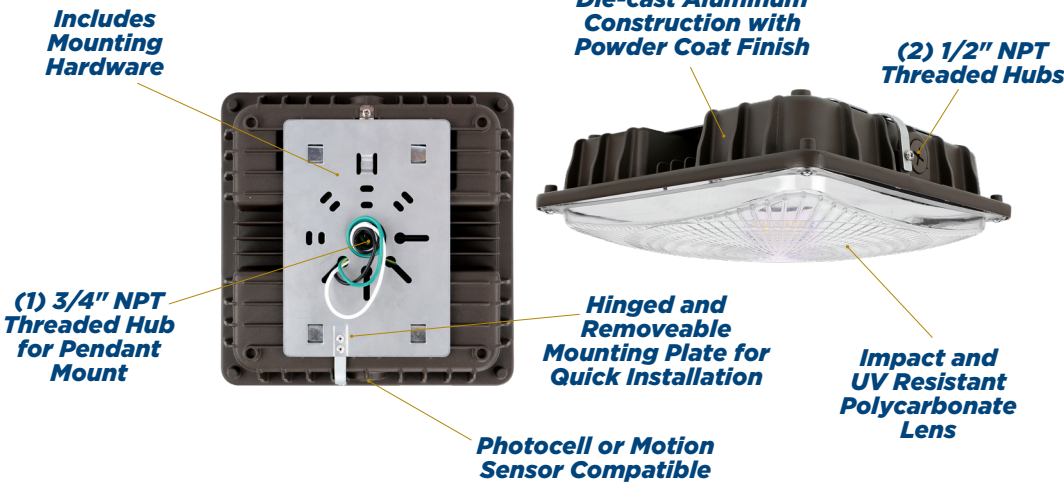
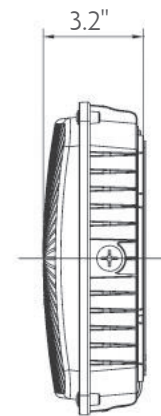
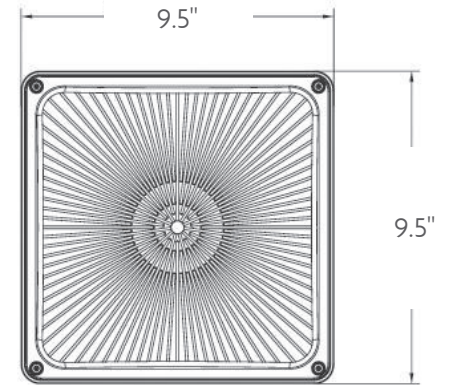
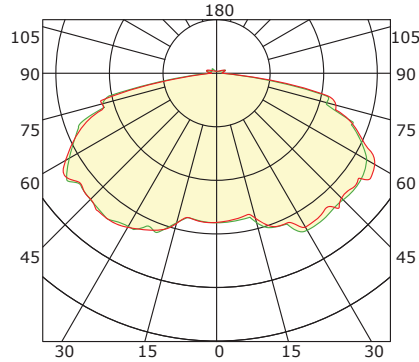


LED Canopy Luminaire LOW PROFILE - SQUARE

GENERAL SPECIFICATIONS

Input Voltage: 120-277V, 50/60Hz
Average Rated Life (L70): 50,000 Hours
Power Factor: >0.9
THD: ≤20%
CRI: 70
CCT: 5000K
Surge Protection: 10kV
Ambient Operating Temperature: -40° to 104°F
IP Rating: IP65
Dimmable: 1-10V
Mounting: Ceiling box or pendant
Housing: Die-cast aluminum with powder coat finish
Lens Type: Polycarbonate
Finish: Dark bronze

DISTRIBUTION PATTERN



SPECIFICATIONS / ORDER INFO

Catalog Number	Order Code	UPC	Watts	Input Amps	Lumens	LPW	Replacement Wattage*	Case Qty	DLC ID	Unit Weight
F-CPS/40W/50K/BZ-80	70812	751338033610	40W	0.33 / 0.14 Amps	5,450	136	175W HID	6	PLMD4F883WJO	4.2 lbs
F-CPS/60W/50K/BZ-80	70816	751338033627	60W	0.5 / 0.22 Amps	8,000	133	250W HID	6	PLL85GVDYIOW	5 lbs

NOMENCLATURE

Example: F-CPS/40W/50K/BZ
F=Fixture / CPS=Canopy Square / 40W=40W / 50K=5000K CCT / BZ=Bronze Finish
60W=60W

*Replacement wattage dependent on fixture, reflectance and lumen maintenance of lamp

FIVE (5) YEAR LIMITED WARRANTY: TOPAZ LIGHTING CORP. warrants to the original purchaser that all TOPAZ LED Outdoor Fixtures shall be free from defects of material and workmanship for a period of five (5) years from the date of purchase. TOPAZ LIGHTING CORP. will, at its option, repair or replace without charge a defective LED lamp that has not been misused, carelessly handled or improperly installed. Repair or replacement, as stated above, shall constitute the purchaser's exclusive warranty, which does not extend to transportation, installation, labor or any other consequential charges. www.topaz-usa.com.

©2019 Topaz Lighting Corp.



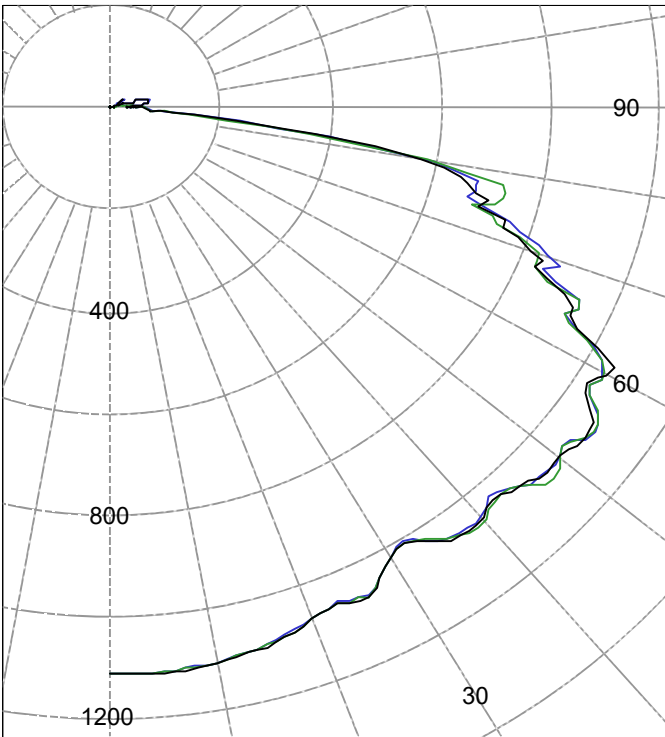
Job Name/Title: _____ Catalog Number _____

Contractor: _____ Notes: _____

LED Canopy Luminaire
LOW PROFILE - SQUARE

F-CPS/40W/50K/BZ-80

Legend: C0-Black, C45-Green, C90-Blue (cd)



(Two plane symmetry) C0-C90

AVERAGE LUMINANCE (cd / m²)

Gamma	C0	C45	C90
45.0	24312	23356	24397
55.0	29343	28100	29734
65.0	32454	30405	32740
75.0	35569	32470	33562
85.0	14441	10931	14154

INTENSITY SUMMARY (cd)

Gamma	C-Plane					Flux (lm)
	C0	C22.5	C45	C67.5	C90	
0.0	1111	1111	1111	1111	1111	
5.0	1114	1114	1113	1113	1112	106
10.0	1108	1108	1107	1106	1106	
15.0	1096	1094	1093	1092	1093	309
20.0	1070	1070	1070	1069	1069	
25.0	1067	1066	1065	1063	1064	488
30.0	1021	1020	1020	1018	1016	
35.0	1041	1038	1033	1036	1036	650
40.0	1051	1052	1059	1054	1050	
45.0	1050	1053	1049	1050	1054	819
50.0	1064	1068	1066	1072	1065	
55.0	1071	1077	1081	1077	1085	948
60.0	1044	1022	1036	1039	1032	
65.0	930	950	939	927	938	916
70.0	813	847	828	821	845	
75.0	710	747	725	719	670	755
80.0	571	501	584	522	597	
85.0	154	149	143	148	151	233
90.0	44	45	45	45	44	

ZONAL FLUX AND PERCENTAGES

Zone	Flux (lm)	% Lamp	% Luminaire
0-30	903	N / A	16.9
0-40	1553	N / A	29.1
0-60	3320	N / A	62.1
0-90	5225	N / A	97.7
40-90	3671	N / A	68.7
60-90	1905	N / A	35.6
90-180	123	N / A	2.3
0-180	5347	N / A	100.0

Total Light Output = 5,347 lm

Spacing Criterion: 0-180 1.5
 Spacing Criterion: 90-270 1.5



Job Name/Title: _____ Catalog Number _____

Contractor: _____ Notes: _____

LED Canopy Luminaire
LOW PROFILE - SQUARE

F-CPS/40W/50K/BZ-80

Coefficients Of Utilization - Zonal Cavity Method																		
Effective Floor Cavity Reflectance 0.20																		
RC	80				70				50			30			10			0
	RW	70	50	30	10	70	50	30	10	50	30	10	50	30	10	50	30	10
0	119	119	119	119	115	115	115	115	110	110	110	105	105	105	100	100	100	98
1	105	99	94	89	102	97	92	87	92	88	84	87	84	81	83	81	78	76
2	94	84	75	68	90	81	74	67	77	71	65	73	68	63	70	65	61	59
3	84	71	62	54	81	70	61	53	66	58	52	63	56	51	60	54	50	47
4	76	62	52	44	73	60	51	44	57	49	43	55	48	42	52	46	41	38
5	69	55	44	37	67	53	44	36	51	42	36	48	41	35	46	40	34	32
6	63	48	38	31	61	47	38	31	45	37	30	43	36	30	41	35	29	27
7	58	43	34	27	56	43	33	27	41	32	26	39	32	26	37	31	26	23
8	54	39	30	24	52	39	30	24	37	29	23	35	28	23	34	27	23	20
9	50	36	27	21	49	35	27	21	34	26	21	33	25	20	31	25	20	18
10	47	33	24	19	46	32	24	19	31	24	18	30	23	18	29	23	18	16

For absolute test reports, CUs are expressed as a percentage of total lumen output. Calculations were based on published IES procedures, and are based on the zonal cavity method. Basic assumptions: 1) Room surfaces are lambertian reflectors. 2) Incident flux on each surface is uniformly distributed. 3) The room is spectrally neutral. When luminaires are not evenly distributed throughout the room, or do not exhibit lateral symmetry, CU values may differ from actual performance.

Height(ft)	Illuminance at Nadir (fc)	Beam Width (across 50% Nadir Illum)	
		0-180	90-270
6.0	30.9	8.72	8.67
8.0	17.4	11.63	11.55
10.0	11.1	14.54	14.44
12.0	7.7	17.44	17.33
14.0	5.7	20.35	20.22
16.0	4.3	23.26	23.11



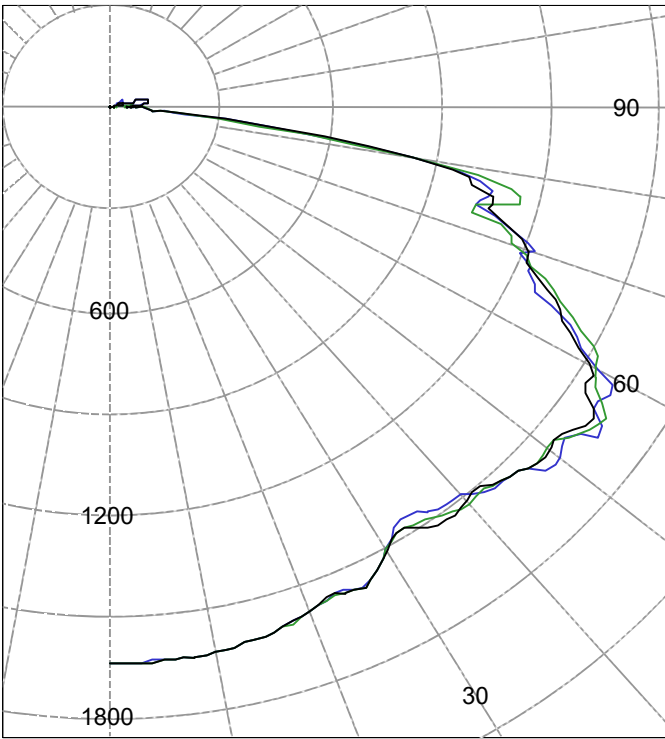
Job Name/Title: _____ Catalog Number _____

Contractor: _____ Notes: _____

LED Canopy Luminaire
LOW PROFILE - SQUARE

F-CPS/60W/50K/BZ-80

Legend: C0-Black, C45-Green, C90-Blue (cd)



(Two plane symmetry) C0-C90

AVERAGE LUMINANCE (cd / m²)

Gamma	C0	C45	C90
45.0	35478	34097	35519
55.0	43965	42302	44834
65.0	46917	43826	44455
75.0	54008	48586	52487
85.0	20415	16363	19485

INTENSITY SUMMARY (cd)

Gamma	C-Plane					Flux (lm)
	C0	C22.5	C45	C67.5	C90	
0.0	1633	1633	1633	1633	1633	
5.0	1638	1637	1637	1637	1636	156
10.0	1631	1630	1629	1631	1631	
15.0	1613	1612	1612	1613	1612	456
20.0	1579	1580	1581	1580	1580	
25.0	1570	1572	1572	1569	1565	720
30.0	1505	1504	1504	1501	1500	
35.0	1508	1497	1487	1463	1458	936
40.0	1504	1521	1525	1511	1491	
45.0	1533	1533	1532	1530	1535	1192
50.0	1562	1546	1554	1567	1600	
55.0	1604	1605	1628	1607	1636	1417
60.0	1506	1499	1524	1510	1538	
65.0	1345	1396	1353	1383	1274	1344
70.0	1215	1211	1163	1190	1225	
75.0	1078	1085	1084	1063	1048	1133
80.0	834	801	836	820	835	
85.0	218	224	214	227	208	348
90.0	67	66	64	64	69	

ZONAL FLUX AND PERCENTAGES

Zone	Flux (lm)	% Lamp	% Luminaire
0-30	1332	N / A	16.9
0-40	2268	N / A	28.8
0-60	4877	N / A	61.9
0-90	7703	N / A	97.7
40-90	5434	N / A	69.0
60-90	2825	N / A	35.9
90-180	178	N / A	2.3
0-180	7880	N / A	100.0

Total Light Output = 7,880 lm

Spacing Criterion: 0-180 1.4
 Spacing Criterion: 90-270 1.4



Job Name/Title: _____ Catalog Number _____

Contractor: _____ Notes: _____

LED Canopy Luminaire
LOW PROFILE - SQUARE

F-CPS/60W/50K/BZ-80

Coefficients Of Utilization - Zonal Cavity Method																		
Effective Floor Cavity Reflectance 0.20																		
RC RW	80				70				50			30			10			0
	70	50	30	10	70	50	30	10	50	30	10	50	30	10	50	30	10	0
0	119	119	119	119	115	115	115	115	110	110	110	105	105	105	100	100	100	98
1	105	99	94	89	102	96	91	87	92	88	84	87	84	81	83	80	78	75
2	93	83	75	68	90	81	73	67	77	71	65	73	68	63	70	65	61	59
3	84	71	62	54	81	69	60	53	66	58	52	63	56	51	60	54	49	47
4	76	62	52	44	73	60	51	43	57	49	42	55	47	42	52	46	41	38
5	69	54	44	37	67	53	43	36	51	42	36	48	41	35	46	39	34	32
6	63	48	38	31	61	47	38	31	45	37	30	43	36	30	41	35	29	27
7	58	43	34	27	56	42	33	27	41	32	26	39	31	26	37	31	26	23
8	54	39	30	24	52	38	30	23	37	29	23	35	28	23	34	27	22	20
9	50	36	27	21	49	35	27	21	34	26	20	32	25	20	31	25	20	18
10	47	33	24	19	46	32	24	19	31	24	18	30	23	18	29	23	18	16

For absolute test reports, CUs are expressed as a percentage of total lumen output. Calculations were based on published IES procedures, and are based on the zonal cavity method. Basic assumptions: 1) Room surfaces are lambertian reflectors. 2) Incident flux on each surface is uniformly distributed. 3) The room is spectrally neutral. When luminaires are not evenly distributed throughout the room, or do not exhibit lateral symmetry, CU values may differ from actual performance.

Circle of Light Plot			
Height(ft)	Illuminance at Nadir (fc)	Beam Width (across 50% Nadir Illum)	
		0-180	90-270
6.0	45.4	8.57	8.19
8.0	25.5	11.43	10.92
10.0	16.3	14.29	13.66
12.0	11.3	17.14	16.39
14.0	8.3	20.00	19.12
16.0	6.4	22.86	21.85