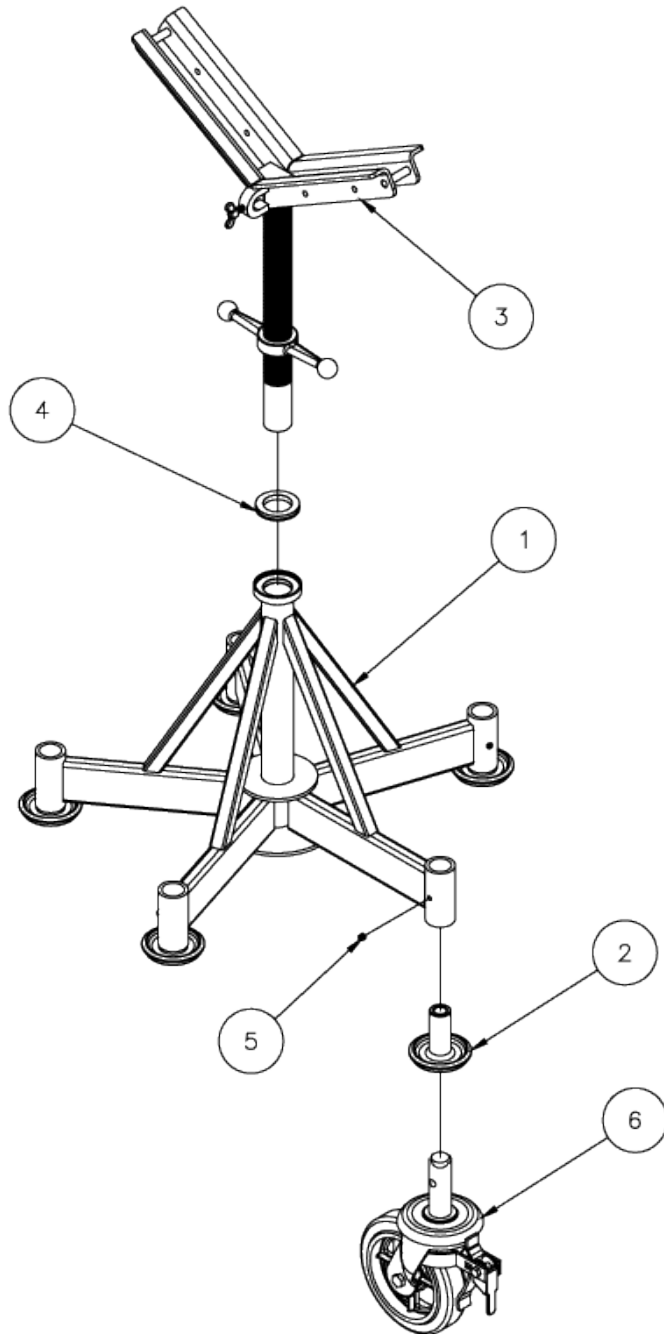
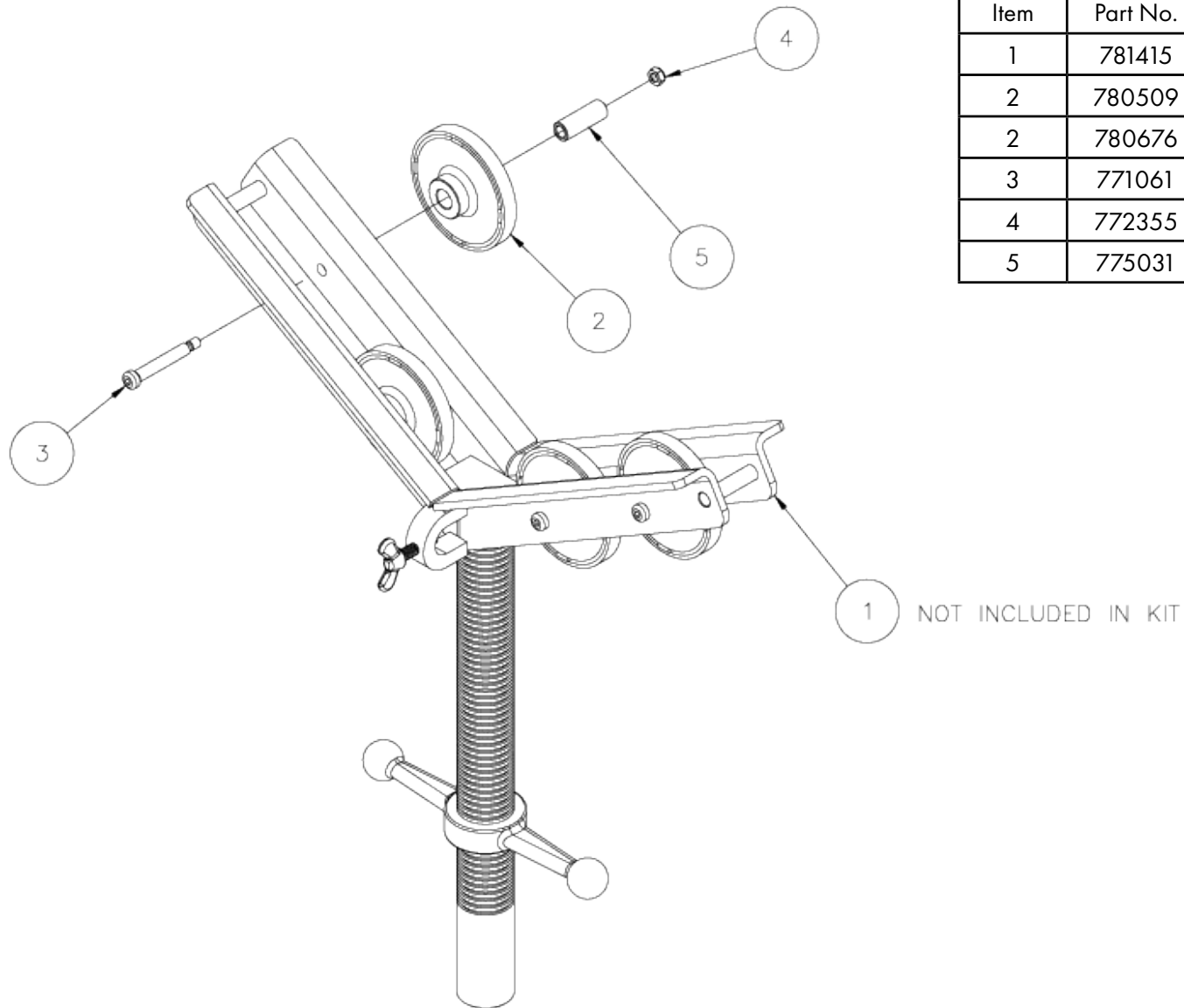


MAX JAX* PARTS



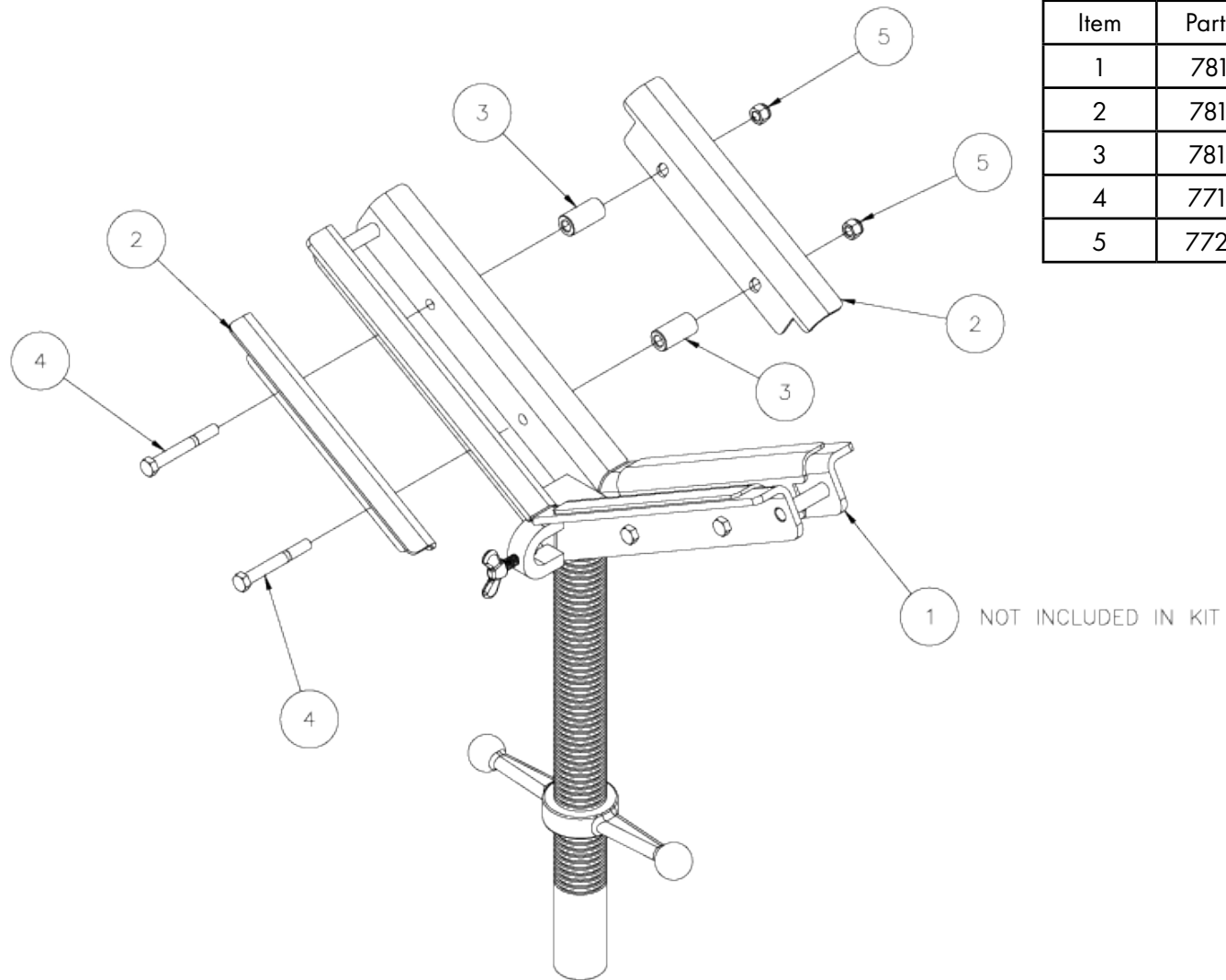
Item	Part No.	Description	Qty
1	781459	BASE WELDMENT, MAX-JAX (5 LEG)	1
2	781396	MAX JAX LEVELING PAD	5
3	781415	BIG VEE HD ASSY W/SPANNER NUT	1
4	781425	THRUST WASHER	1
5	771460	SCREW, SHSS 3/8-16 X 3/8 CUP PT	5
6	779023	CASTER, ROLLER WHEEL	5
6	781464	CASTER KIT (5) STANDARD	1
6	781465	CASTER KIT (5) STEEL CASTERS	1

STAINLESS STEEL (781407) OR ALUMINUM ROLLER HEAD KIT (781406)



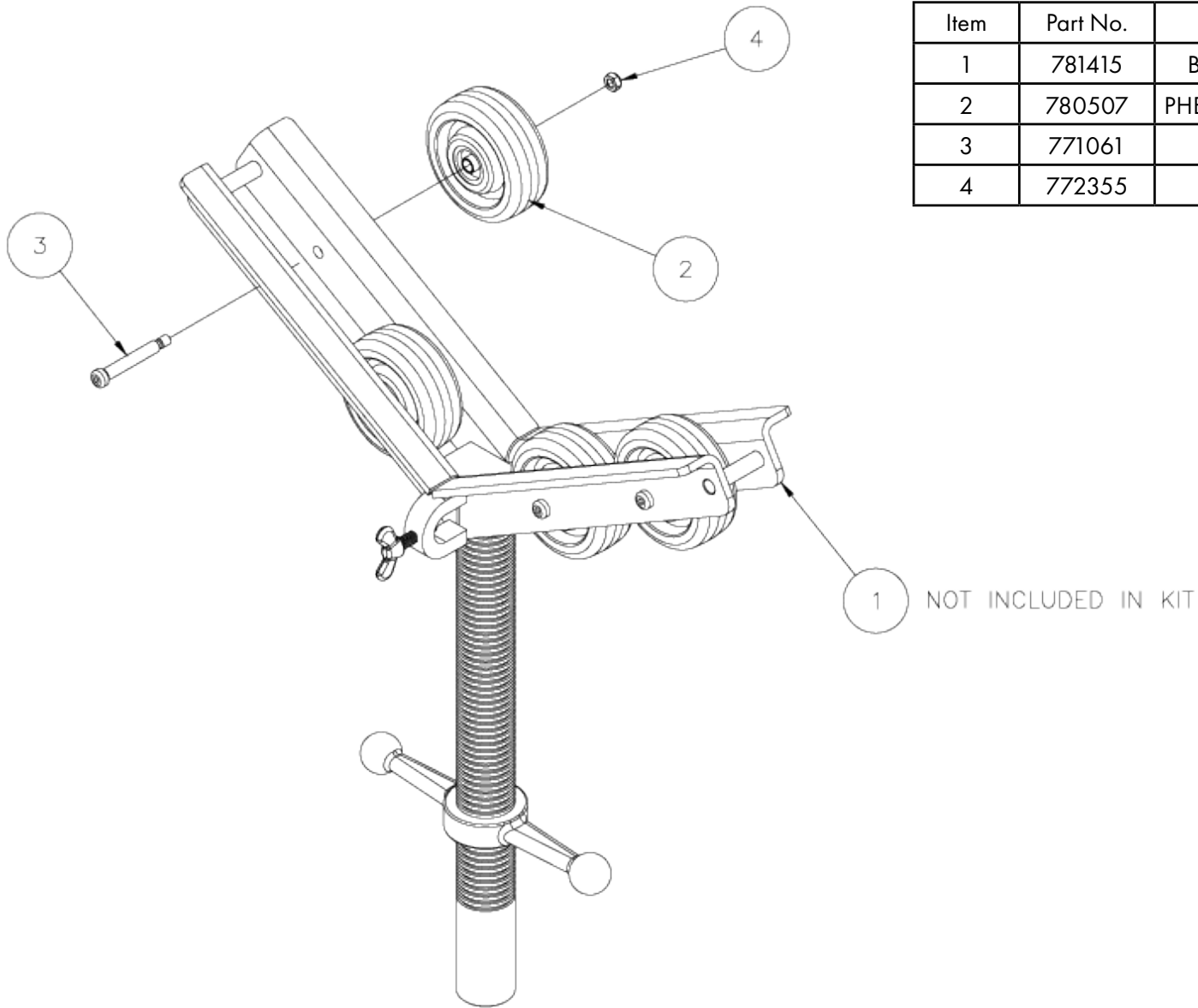
Item	Part No.	Description	Qty
1	781415	BIG VEE HD ASSY W/SPANNER NUT	1
2	780509	ROLLER WHEEL "SS"	4
2	780676	ROLLER WHEEL , 1-PC PM	4
3	771061	SCREW, HHC 3/8-16 X 3 GRD 5	4
4	772355	NUT, INSERT LOCK 3/8-16"	4
5	775031	BUSH, BZ 3/8 X 5/8 X 1-3/4"	4

VEE HEAD KIT (781382)



Item	Part No.	Description	Qty
1	781415	BIG VEE HD ASSY W/ SPANNER NUT	1
2	781391	VEE HEAD LINER SS MJ/BV	4
3	781393	SLEEVE SPACER MJ/BV, SS	4
4	771061	SCREW, HHC 3/8-16 X 3 GRD 5	4
5	772355	NUT, INSERT LOCK 3/8-16	4

ROLLER HEAD KIT, PHENOLIC (781394)



Item	Part No.	Description	Qty
1	781415	BIG VEE HD ASSY W/SPANNER NUT	1
2	780507	PHENOLIC WHEEL W/BUSHINGS AD-9R	4
3	771061	SCREW, HHC 3/8-16 X 3 GRD 5	4
4	772355	NUT, INSERT LOCK 3/8-16	4