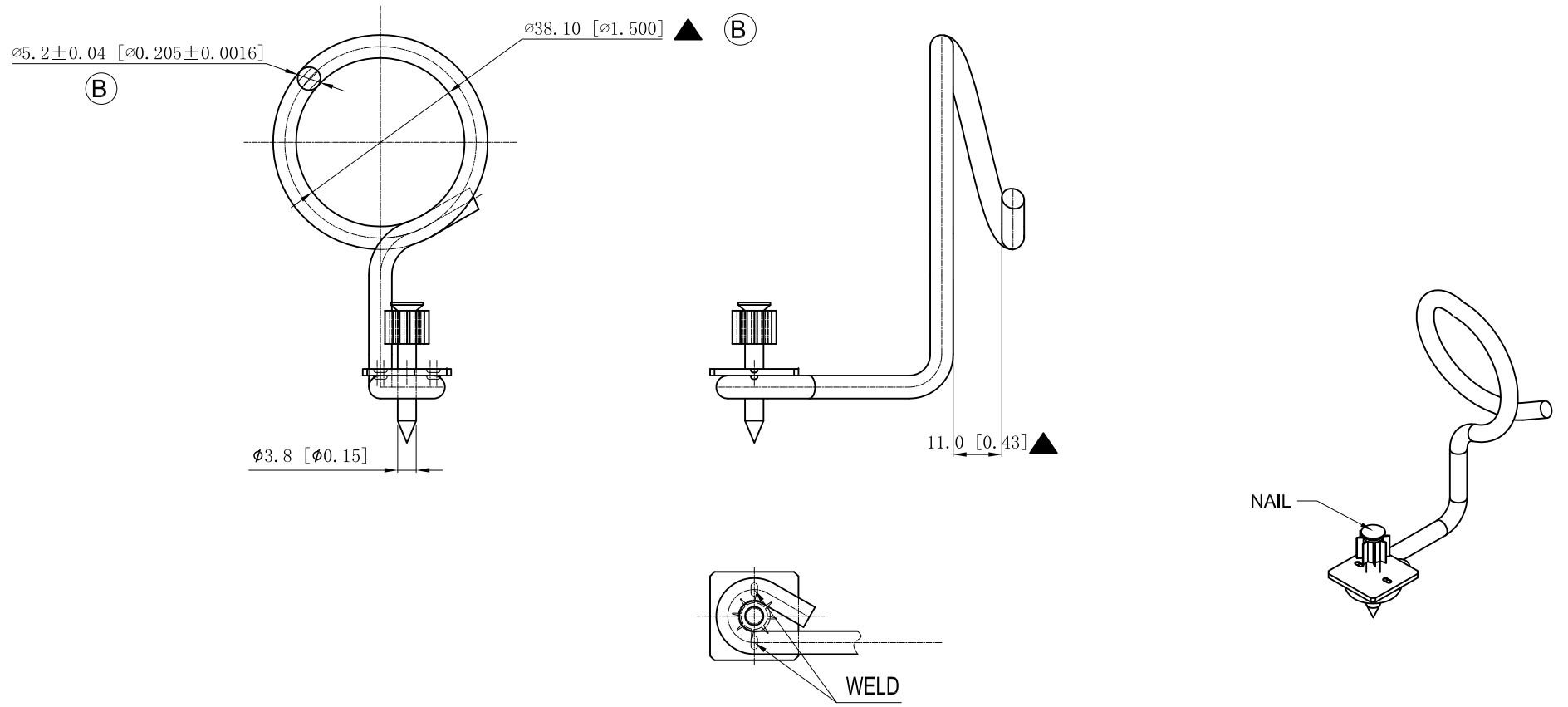


SIDES	BOTTOM
1 PCS 1-1/4 Nail Installed	
Material: Steel-0.205" C1008-C1018 Zinc Plated	



This data sheet is for reference only .GARVIN INDUSTRIES reserves the right to make changes to the design without prior notice.

DESCRIPTION
Patent #: Pat. US 6,364,266 B1
TRADE REFERENCE TERMS

STANDARD PACKING
100 PCS

GARVIN INDUSTRIES			
TITLE QUICK-SHOT BRIDLE RINGS			
SIZE A4	DWG NO.	BR-150-SSC	REV D
DATA SHEET			