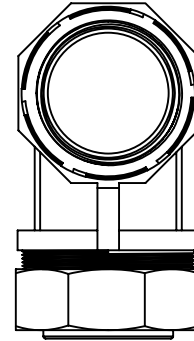
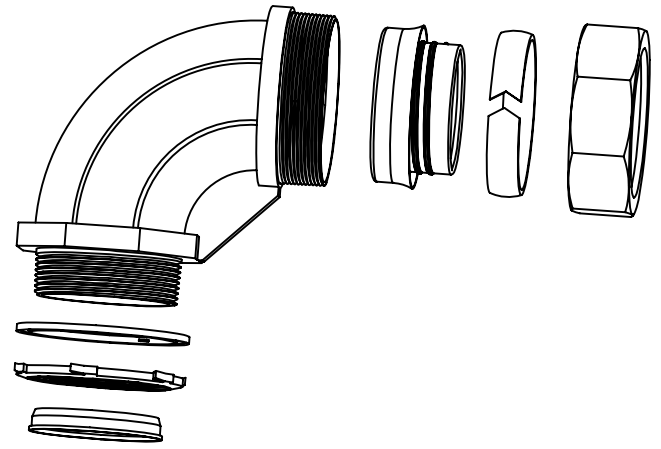
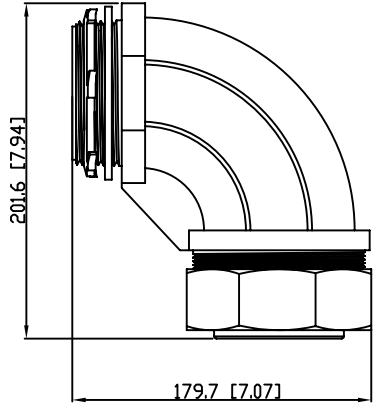
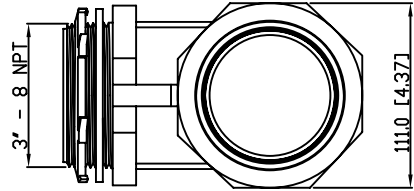


SIDES	BOTTOM
Material: Steel-(C1008-C1018) Galvanized	



This data sheet is for reference only .GARVIN INDUSTRIES reserv the right to make changes to the design without prior notice.

DESCRIPTION
TRADE REFERENCE TERMS

STANDARD PACKING
1 PCS

<h1 style="text-align: center;">GARVIN INDUSTRIES</h1>		
<p style="text-align: center;">TITLE 90° Liquid Tight Conn, 3"</p>		
<p>SIZE A4</p>	<p>DWG NO. DS-LTC-30090</p>	<p>REV A</p>