



Southwire™

BEAM ATTACHMENT CABLE CLIPS

APPLICATION

Cable clips easily snaps on to flanges for cable positioning, no load rating listed.

FEATURES

Easy hammer-on installation
Supports cables to beams with no additional hardware

MATERIAL/FINISH

Spring Steel/GEOSEAL™

CERTIFICATIONS

UL Standard: UL 2239

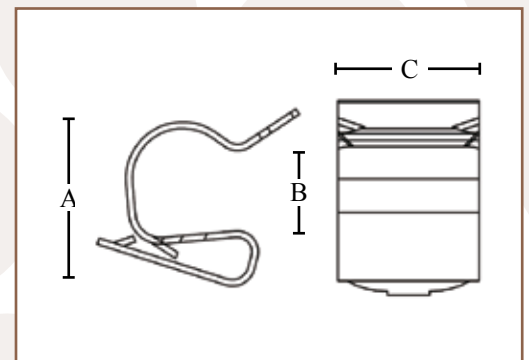


SC2DTZ



PART #	FLANGE THICKNESS	CABLE DIAMETER	A	B	C	BOX QTY.
SC2DTZ	1/16" – 3/16"	.472" – .551"	.744"	.343"	.551"	100
SC2FTZ	1/16" – 3/16"	.748" – .945"	1.02"	.356"	.551"	100
SC4DTZ	3/16" – 9/32"	.472" – .551"	.744"	.343"	.551"	100
SC4ETZ	3/16" – 9/32"	.591" – .709"	.645"	.335"	.551"	100

No load rating, for positioning only



Rev. 0, 03/23

**BUILT FOR DURABILITY.
BUILT FOR RELIABILITY.
BUILT FOR WORK.™**

1-855-798-6657 | SOUTHWIRE.COM

©2023 Southwire Company, LLC. All rights reserved.
*Registered Trademark & ™Trademark of Southwire Company, LLC.