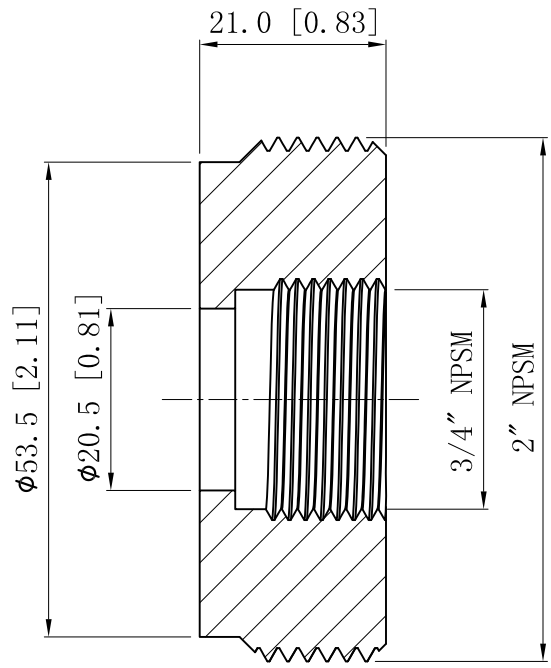
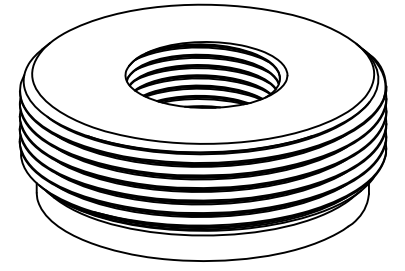
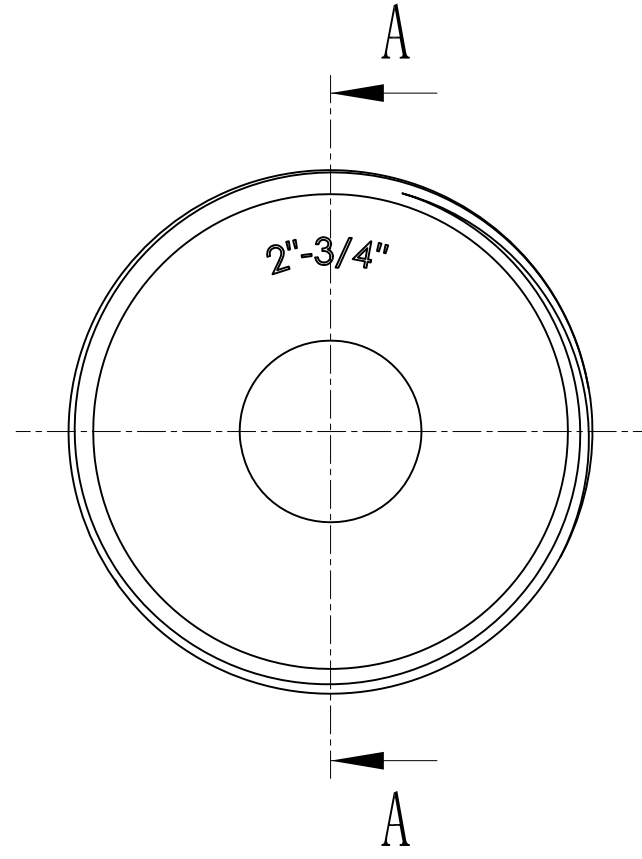


SIDES	BOTTOM
Material: Steel-316 Stainless steel	



CUTAWAY VIEW A-A



This data sheet is for reference only .GARVIN INDUSTRIES reserves the right to make changes to the design without prior notice.

DESCRIPTION
TRADE REFERENCE TERMS

STANDARD PACKING
5 PCS

TITLE			REV
GARVIN INDUSTRIES			
TITLE			REV
STEEL REDUCING BUSHING			
SIZE	DWG NO.		
A4		RB-20075-SS	A
DATA SHEET			