



Southwire™

PIPE FITTINGS

ONE HOLE EMT STRAP

APPLICATION

Indoor or outdoor, use to support EMT conduit to wood, masonry or where greater load bearing is required.

FEATURES

Snap-on EMT strap with one hole
Inverted rib for strength
Easy no-tool installation

MATERIAL/FINISH

Steel/Zinc plated

CERTIFICATIONS

UL Standard: UL 2239
Fed. Spec: W-F-406E, W-F-406D
NEMA: FB 1-2014

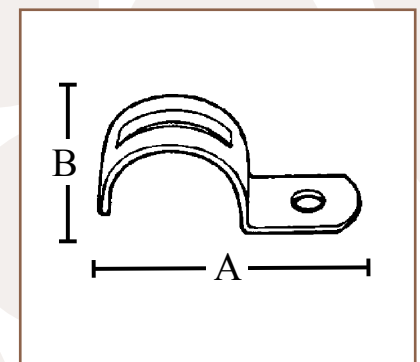


511



PART #	EMT SIZE	A	B	BOX QTY.
511	1/2"	1.79"	.57"	100
512	3/4"	1.96"	.62"	50
513	1"	2.25"	.75"	25
514	1-1/4"	2.85"	.88"	20
515	1-1/2"	3.16"	.99"	20
516	2"	3.93"	1.10"	10
517TZ*	2-1/2"	5"	1.28"	50
518TZ*	3"	5.55"	1.28"	25
519*	3-1/2"	6.37"	1.28"	25
520*	4"	6.87"	1.28"	25

*EMT and Rigid



Rev. 0, 03/23

**BUILT FOR DURABILITY.
BUILT FOR RELIABILITY.
BUILT FOR WORK.™**

1-855-798-6657 | SOUTHWIRE.COM

©2023 Southwire Company, LLC. All rights reserved.
*Registered Trademark & ™Trademark of Southwire Company, LLC.