



# Southwire™

## ROD/WIRE FASTENERS

# THREADED ANGLE ROD BRACKET

### APPLICATION

Mounts to wood or concrete structures to suspend threaded rods.

### FEATURES

Rotatable joint ensures rod maintains a vertical position

Galvanized bracket

### MATERIAL/FINISH

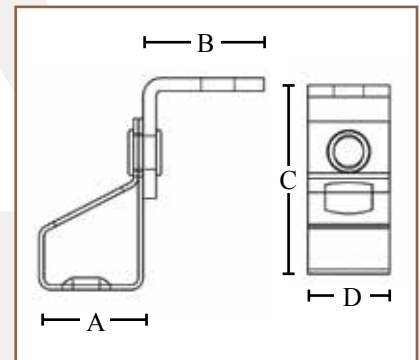
Spring Steel/GEOSEAL™

### CERTIFICATIONS

UL Standard: UL 2239



6TIBTZ



PART #	THREAD SIZE	STATIC LOAD (LBS.)	A	B	C	D	BOX QTY.
4TIBTZ	1/4"	160	.85"	.984"	1.70"	.748"	100
6TIBTZ	3/8"	160	.85"	.984"	1.70"	.748"	100

Load limits are for fasteners only. Attachment to structure must be evaluated separately

Rev. 0, 03/23

**BUILT FOR DURABILITY.  
BUILT FOR RELIABILITY.  
BUILT FOR WORK.™**

1-855-798-6657 | SOUTHWIRE.COM

©2023 Southwire Company, LLC. All rights reserved.  
\*Registered Trademark & ™Trademark of Southwire Company, LLC.