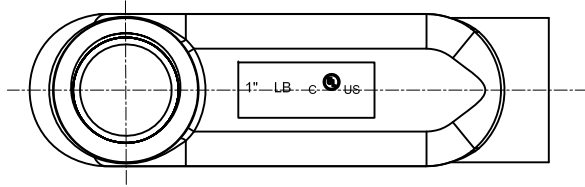
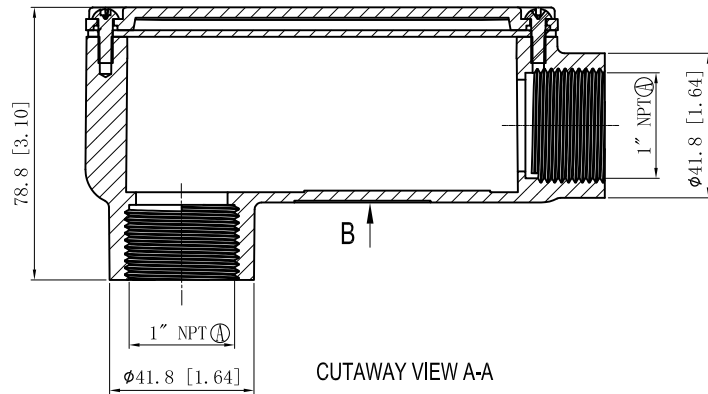


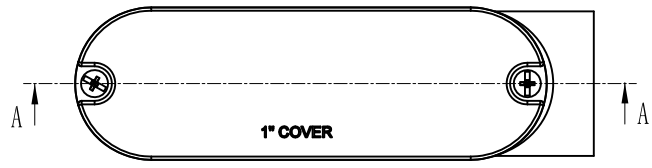
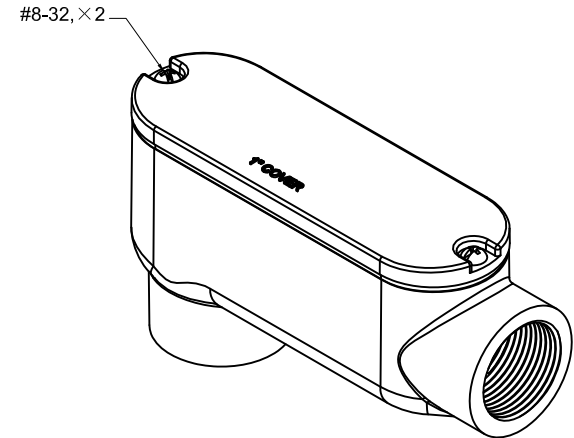
|                                                 |        |
|-------------------------------------------------|--------|
| SIDES                                           | BOTTOM |
|                                                 |        |
|                                                 |        |
|                                                 |        |
| 2 PCS 8-32×1/2 Screws Installed                 |        |
| Material: Aluminum - Powder Coating Silver Grey |        |



VIEW B



CUTAWAY VIEW A-A



This data sheet is for reference only .GARVIN INDUSTRIES reserves the right to make changes to the design without prior notice.

|                       |
|-----------------------|
| DESCRIPTION           |
|                       |
|                       |
| TRADE REFERENCE TERMS |
|                       |

|                  |
|------------------|
| STANDARD PACKING |
| 5/25 PCS         |

|                            |         |            |     |
|----------------------------|---------|------------|-----|
| TITLE                      |         |            | REV |
| "LB" ALUMINUM CONDUIT BODY |         |            |     |
| SIZE                       | DWG NO. | LB100      | B   |
| A4                         |         | DATA SHEET |     |