



# Southwire™

## 90° LIQUIDTIGHT CONNECTORS

### ZINC

#### FEATURES

- 90° connectors
- Assembled with a die cast locknut

#### APPLICATION

- For use with metallic and non-metallic "Type B" liquidtight conduit

#### STANDARD MATERIAL

- Zinc die cast

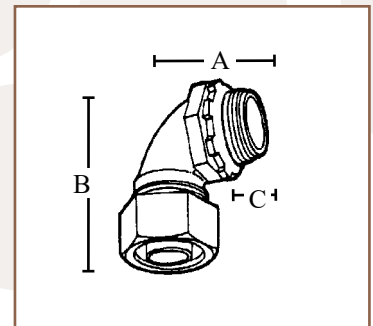
#### CERTIFICATIONS

- cULus



491

PART #	SIZE	INNER QTY.	MASTER QTY.	WEIGHT/CASE (LBS.)	A	B	C
490	3/8" 1/2" KO	10	100	27	2.062"	2.34"	.52"
491	1/2"	10	100	28	2.22"	2.34"	.52"
492	3/4"	10	100	38	2.55"	3.55"	.68"
493	1"	5	50	32	2.82"	3.785"	.67"
494	1-1/4"	2	20	20	3.362"	3.96"	.70"
495	1-1/2"	2	20	26	3.45"	4.13"	.70"
496	2"	1	10	19	4.036"	4.70"	.57"
497	2-1/2"	---	1	4	5.215"	5.375"	.77"
498	3"	---	1	5	6.10"	6.50"	1.10"
499	3-1/2"	---	1	6	6.715"	7.45"	1.10"
500	4"	---	1	7	6.78"	8"	1.10"



Rev. 0, 01/23

**BUILT FOR DURABILITY.  
BUILT FOR RELIABILITY.  
BUILT FOR WORK.™**

1-855-798-6657 | SOUTHWIRE.COM

©2023 Southwire Company, LLC. All rights reserved.  
\*Registered Trademark & ™Trademark of Southwire Company, LLC.