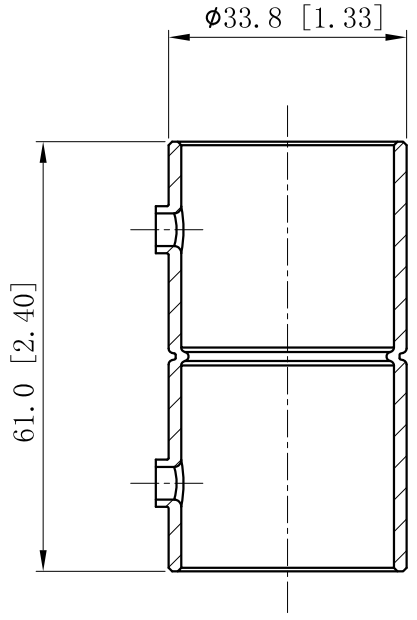
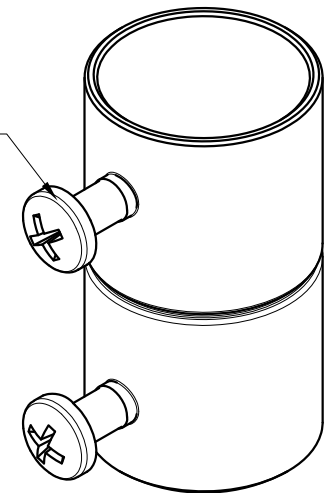
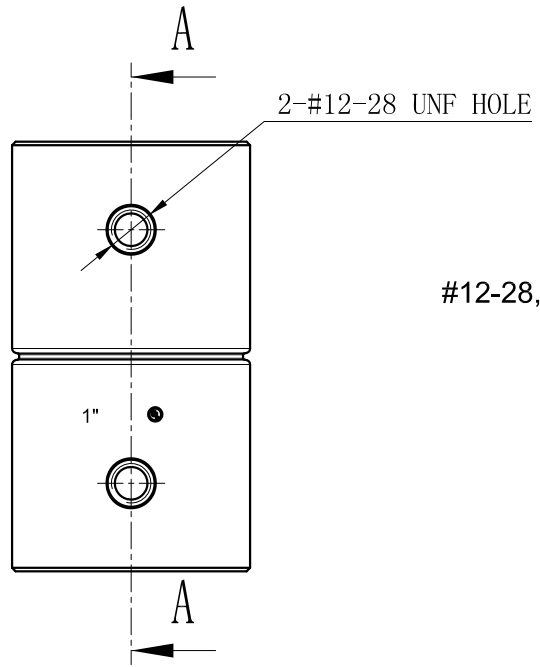


SIDES	BOTTOM
2 PCS #12-28×3/8 Screws Installed	
Material:Steel-Welding tube, zinc plated	



CUTAWAY VIEW A-A



DESCRIPTION
TRADE REFERENCE TERMS

STANDARD PACKING
25 PCS

This data sheet is for reference only .GARVIN INDUSTRIES reserves the right to make changes to the design without prior notice.		
GARVIN INDUSTRIES		
STEEL EMT SET SCREW COUPLINGS		
TITLE	DWG NO.	REV
SIZE	SSCP-100	
A4	DATA SHEET	