



southwiretools.com



1-855-SW-TOOLS
Toll Free Technical Help
Assistance technique gratuite
Línea de Ayuda Técnica Gratuita

Product distributed by/Produit distribué par
Southwire Company, LLC.
One Southwire Drive, Carrollton, GA 30119
© 2017 Southwire Company, LLC.
All rights reserved. Tous droits réservés.

1/17
XD10 Manual (V2)

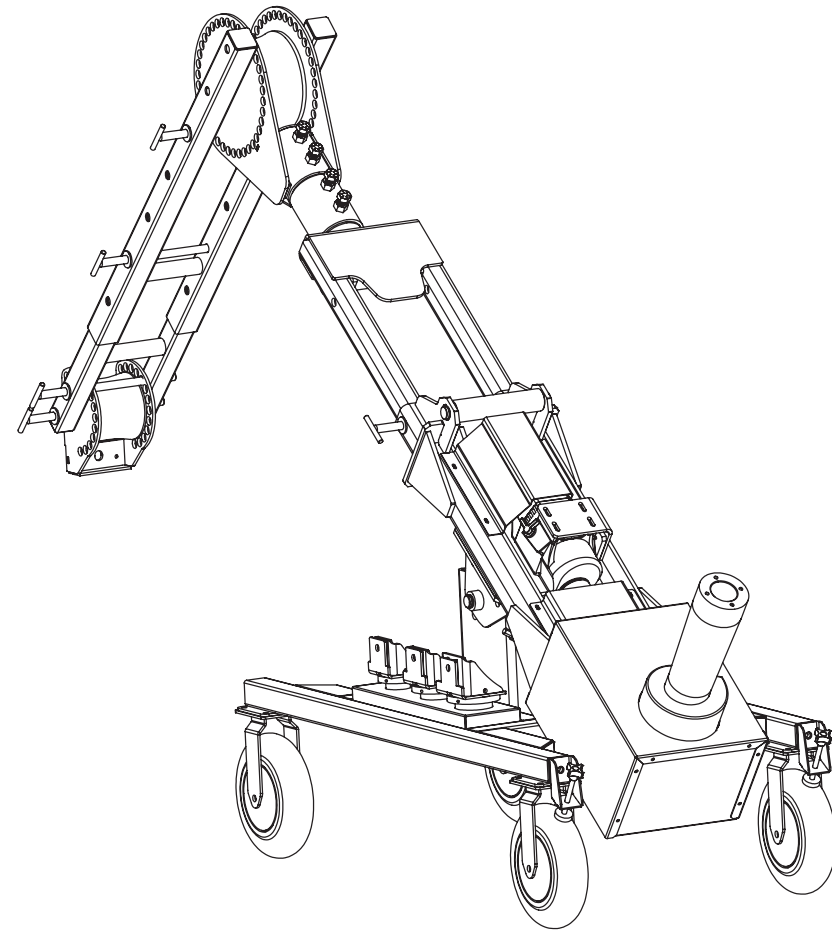


Southwire™

TOOLS & EQUIPMENT

Operating Instructions

Maxis® XD10 EXTREME Duty Puller



CAUTION: Please **READ** and **UNDERSTAND** all of the instructions and safety information in this manual and observe safe-working practices before operating or servicing this tool.



BEFORE OPERATING THIS TOOL, READ AND UNDERSTAND ALL OF THE INSTRUCTIONS AND SAFETY INFORMATION IN THIS MANUAL



TABLE OF CONTENTS

Important Safety Information.....2
 Description of Operation.....3
 Identification.....3
 Operating Instructions.....4- 15
 Maintenance.....16
 Specifications17
 Warranty.....19-20

SAFETY FIRST

Safety is essential in the use and maintenance of Southwire Contractor Equipment. This instruction manual and any markings on the tool provide information for avoiding hazards and unsafe practices related to the use of this tool. Observe all of the safety information provided in this manual.

	<p>SAFETY ALERT SYMBOLS</p> <p>These symbols are used to call attention to potential hazards or unsafe practices that could result in injury or property damage. The three safety words defined below indicate the severity of the hazard. The message after the signal word provides information for preventing or avoiding the hazard.</p>
<p>▲ DANGER</p>	
<p>Immediate hazards which, if not avoided, WILL result in severe injury or death.</p>	
<p>▲ WARNING</p>	
<p>Hazards which, if not avoided, COULD result in severe injury or death.</p>	
<p>▲ CAUTION</p>	
<p>Hazards or unsafe practices which, if not avoided, MAY result in injury or property damage.</p>	

	<p>▲ WARNING</p> <p>Read and understand all of the instructions and safety information in this manual before operating or servicing this tool. Failure to observe this warning could result in severe injury or death.</p>
--	--

	<p>▲ WARNING</p> <p>Personal safety hazards</p>
<ul style="list-style-type: none"> • Only qualified persons should use a Maxis® XD10 EXTREME Duty Puller. • Wear eye protection and a hard hat when using this tool. • Wear hand protection while using this tool. • Do not use tool while tired or under the influence of drugs, alcohol, or medication. • Keep body parts and loose clothing away from moving parts. • Always follow proper and customary safety procedures for operating equipment of this nature. • Keep clear of rope pulling path of travel as rope breakage could result in personal injury or death. 	

	<p>▲ WARNING</p> <p>Electrical Shock Hazards</p> <ul style="list-style-type: none"> • This is not an insulated tool, contact with live circuits could result in severe injury or death.
--	---

<p>▲ CAUTION</p>	
<ul style="list-style-type: none"> • Using excessive force may result in personal injury or damage to the tool. If excessive force is required to complete a pull, verify there are no obstructions or that the wire pull calculations are acceptable and does not exceed the capacity of the tool. • Make sure to wear proper eye protection and stand clear of rope pulling path. 	

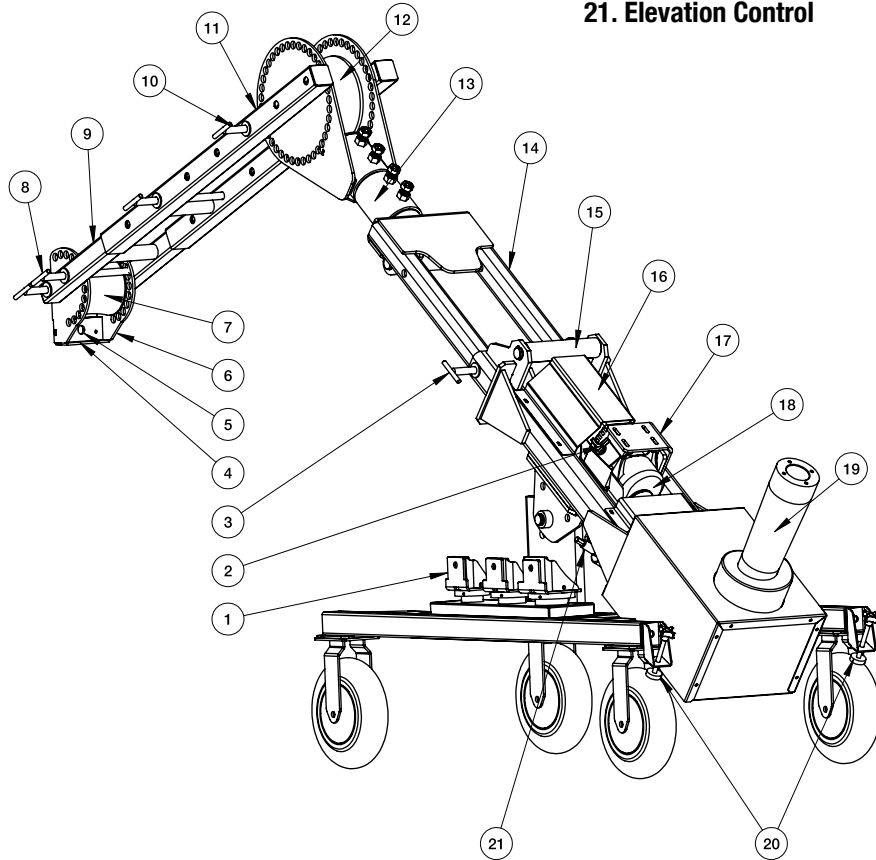
FAILURE TO OBSERVE THESE WARNINGS CAN RESULT IN SEVERE INJURY OR DEATH

DESCRIPTION OF OPERATION

The Maxis® XD10 is a cable puller intended to pull medium to large wire through conduit. It sets up in only minutes and will pull up to 10,000 pounds.

IDENTIFICATION

- | | |
|--|-----------------------|
| 1. Conduit Adaptors (size, 2, 2½, 3, 3½, 4 inch) | 11. Front Extension |
| 2. High/Low Switch | 12. Main Roller |
| 3. Main Hitch Pin | 13. Cylinder Neck |
| 4. Adaptor Housing Bracket | 14. Mid-Frame |
| 5. Adaptor Bolt 5/8 inch | 15. Idler Shaft |
| 6. Front Roller Pivot | 16. Motor Cover |
| 7. Front Roller | 17. Motor Bracket |
| 8. Front Roller Hitch Pin | 18. Motor |
| 9. Front Extension | 19. Capstan |
| 10. Front Extension Hitch Pin | 20. Brake |
| | 21. Elevation Control |



3

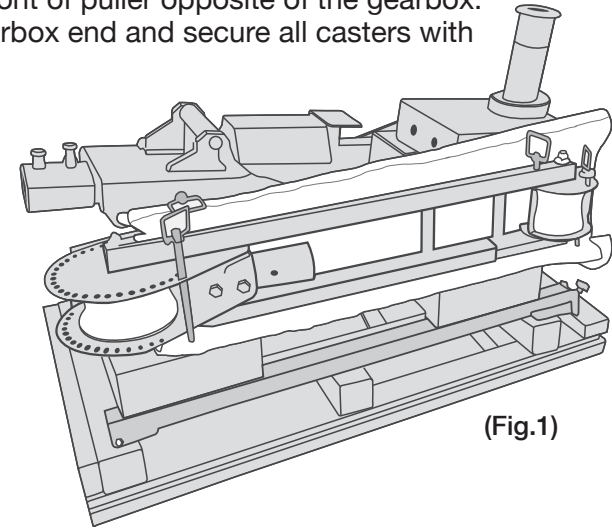
SETUP AND OPERATION

ASSEMBLY

Puller is shipped almost fully assembled.

There are two sets of enclosed casters; **swivel and set**. Place swivel caster at front of puller opposite of the gearbox. Place set casters at gearbox end and secure all casters with enclosed bolts, washers and lock nuts. (Fig.1).

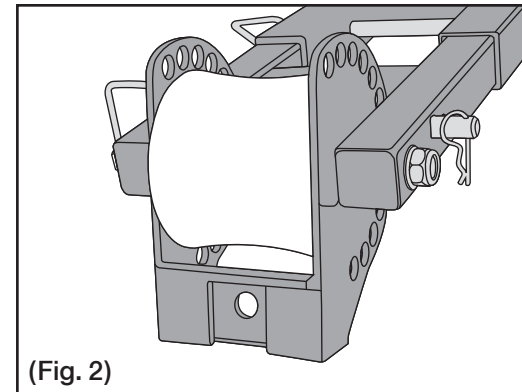
Attach forward main extension by securing with four 15/16" bolts to the cylinder neck.



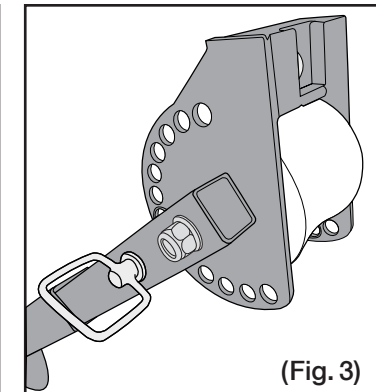
(Fig.1)

ATTACHING CONDUIT ADAPTORS

- For underground pulls front roller pivot mount plate (housing bracket) (4) must be facing down (Fig. 2). For overhead pulls the front roller pivot mount plate must be facing up. (Fig. 3).



(Fig. 2)

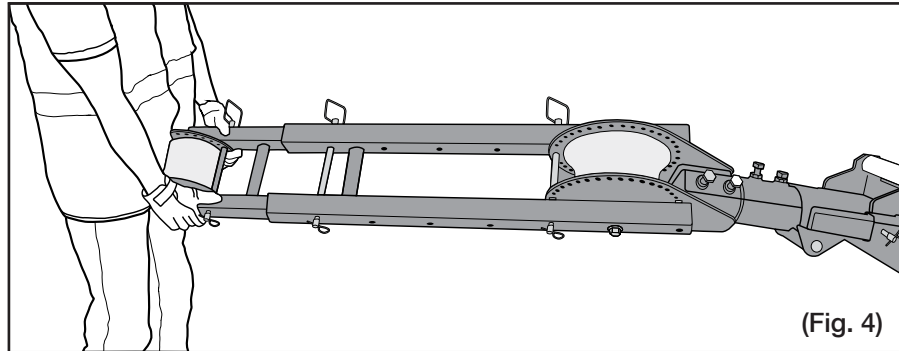


(Fig. 3)

4

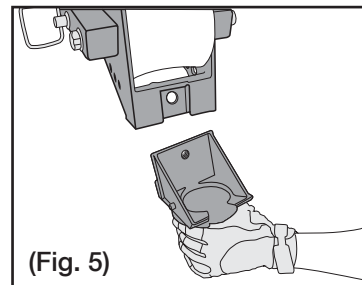
SETUP AND OPERATION**ATTACHING CONDUIT ADAPTORS cont.**

To change Front Roller Pivot position, loosen 15/16" bolts on Cylinder Neck (13) and rotate Front Extension 180°, then re-tighten Cylinder Neck Bolts. (Fig. 4).

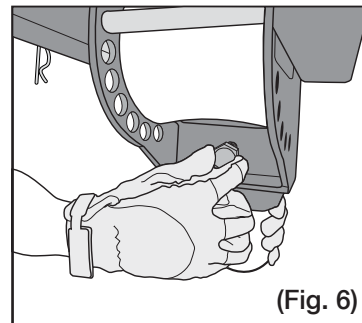


2. Remove 8 1/2" by 1/2" hitch pin (8) and swing front roller pivot (6) up.

3. Install desired conduit adapter (size 2, 2 1/2, 3, 3 1/2, 4). (Fig. 5).



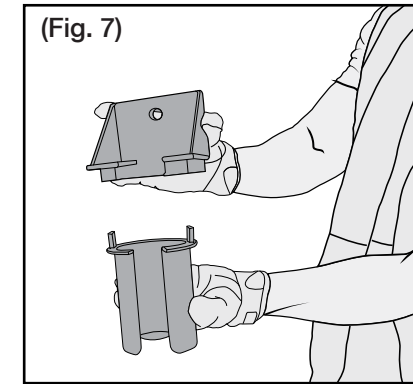
4. Screw in and hand-tighten 5/8" adaptor bolt (5). (Fig. 6).



5

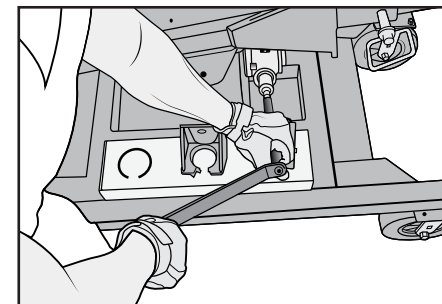
SETUP AND OPERATION**ATTACHING CONDUIT ADAPTORS cont.**

5. For most underground pulls the bottom half of the adapter can be removed by unscrewing the two side Allen screws. (Fig. 7).

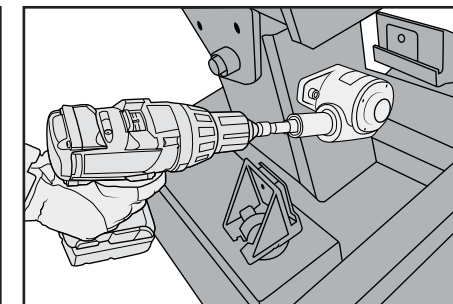
**PULLING OUT OF THE GROUND OR PANEL**

1. Always wear gloves and eye protection when working with pullers.
2. Attach proper conduit adaptor.
3. Use manual hand crank on elevation control (21) to manually adjust puller to level horizontal position by turning clockwise or counter clockwise. (Fig. 8)
The use of an 18-volt drill on low setting with 7/16 nut driver can be used to raise or lower puller to horizontal position. (Fig. 9)

CAUTION: Drill should be in low gear with clutch engaged to prevent damage to gearing and prevent wrist injury.



(Fig. 8)

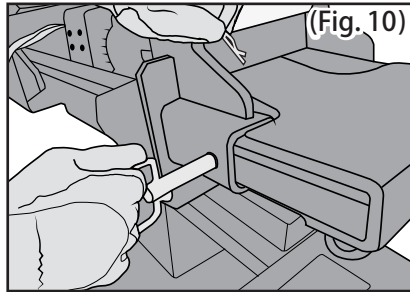


(Fig. 9)

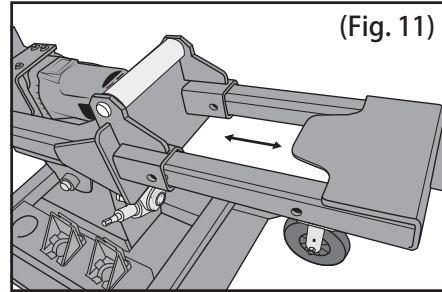
6

SETUP AND OPERATION**PULLING OUT OF THE GROUND OR PANEL cont.**

4. Pull Mid-Frame Hitch Pin and telescope mid-frame to desired length and reinstall pin. (Figs. 10, 11)



(Fig. 10)



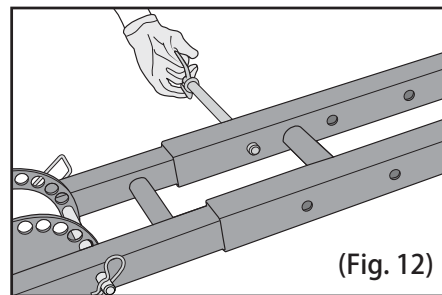
(Fig. 11)

5. Use manual hand crank on elevation control (21) to manually adjust puller to elevated position by turning clockwise.

The use of an 18-volt drill on low setting with 7/16 nut driver can be used to raise puller to elevated position.

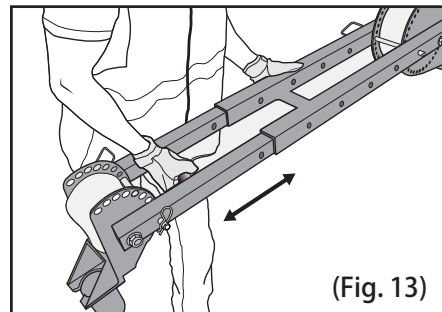
CAUTION: Drill should be in low gear with clutch engaged to prevent damage to gearing and prevent wrist injury.

6. Pull front extension hitch pin (10) and adjust front extension to desired angle. Save pin to reinstall at a later step. (Fig. 12)



(Fig. 12)

7. Adjust front extension (9) to proper length by removing pin and sliding arm extension inward or outward and save pin to reinstall at a later step. (Fig. 13)

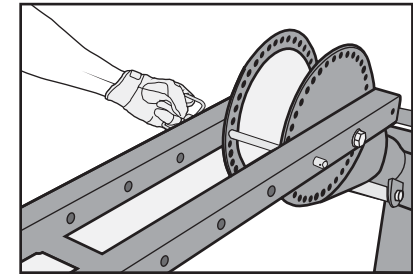


(Fig. 13)

7

SETUP AND OPERATION**PULLING OUT OF THE GROUND OR PANEL cont.**

8. Adjust front roller pivot (6) by removing pin and positioning to proper angle. (Fig. 14)

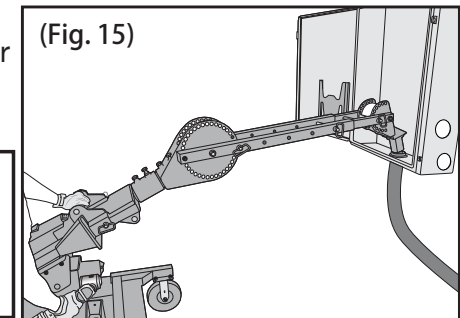


(Fig. 14)

9. Use manual hand crank on elevation control (21) to manually adjust puller to proper position in conduit. The use of an 18-volt drill on low setting with 7/16 nut driver can be used to adjust puller position.

CAUTION: Drill should be in low gear with clutch engaged to prevent damage to gearing and prevent wrist injury.

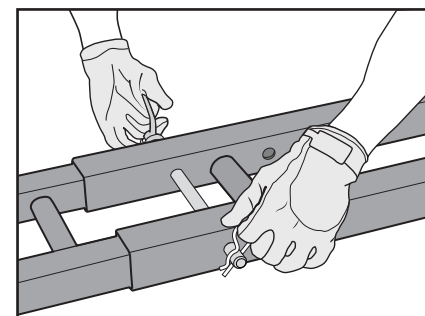
10. Lift Front End Assembly by use of manual hand crank on elevation control (21) and lower conduit adaptor into conduit. (Fig. 15)



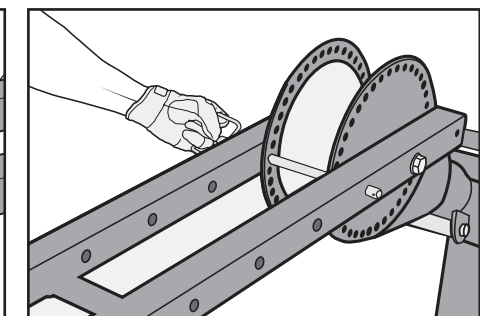
(Fig. 15)

CAUTION: Once conduit adaptor is seated in conduit, use elevation control handle to release tension off puller and elevation control to prevent possible damage to elevation control.

11. Replace Front Extension Hitch Pin (10) and Front Roller Hitch Pin (8) into desired angle. (Figs. 16, 17)



(Fig. 16)

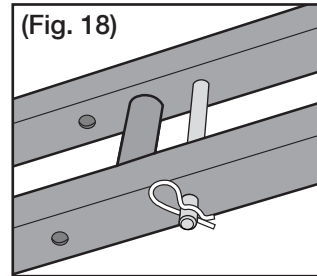


(Fig. 17)

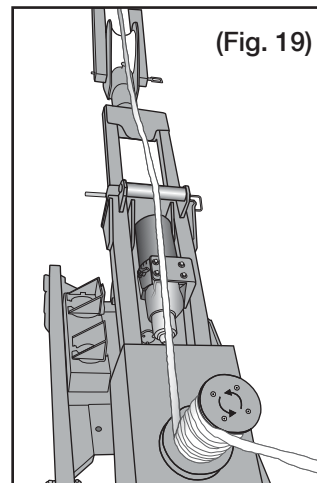
8

SETUP AND OPERATION**PULLING OUT OF THE GROUND OR PANEL cont.**

12. Make sure all hitch pins are secure with a locking cotter pin. (Fig. 18)



13. Route rope through conduit adaptor and over front roller (7), then position rope **over** main roller followed by back mid-frame roller and onto the capstan (19). (Fig. 19)

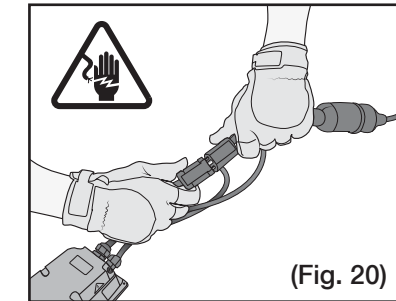


CAUTION: Drill should be in low gear with clutch engaged to prevent damage to gearing and prevent wrist injury.

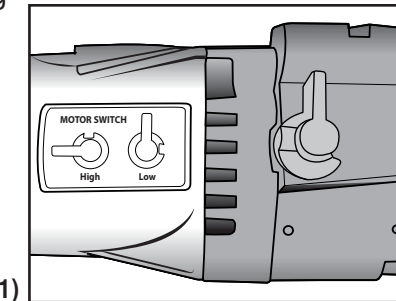
14. Wrap rope around the capstan (19) in a counter-clockwise direction, working from the base of the capstan to the top.
15. Do not stand in line (in front or behind) with the rope being pulled (stand to the side of the puller) to avoid injury if the rope breaks.

SETUP AND OPERATION**PULLING OUT OF THE GROUND OR PANEL cont.**

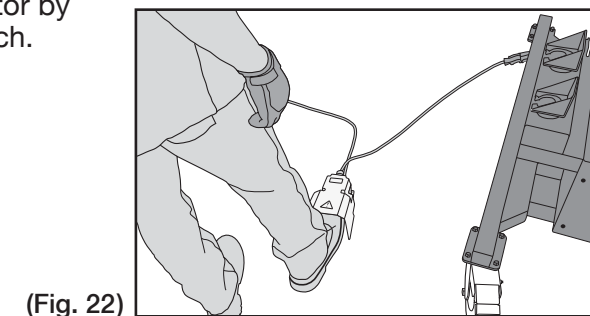
16. Plug puller power cord into pigtail adaptor, then plug pigtail adaptor into foot switch and plug into the power source. (Fig. 20)



17. Prior to starting motor ensure motor is set on desired gear position using the high/low switch (2). (Fig. 21)



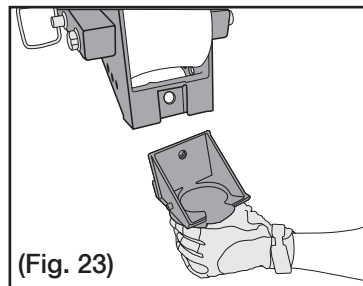
18. Start the electric motor by depressing foot switch. (Fig. 22)



19. Pull on the rope to produce some tension. The rope will begin to advance.

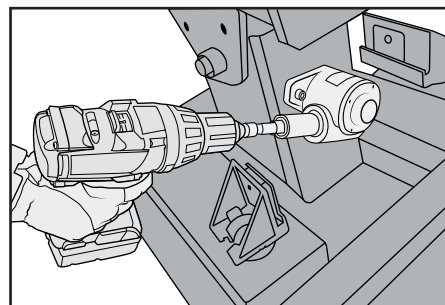
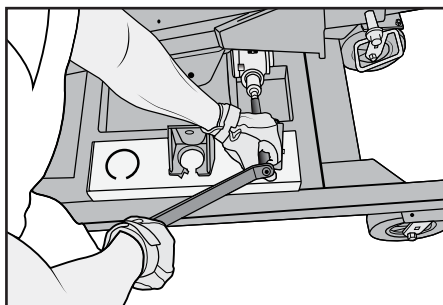
SETUP AND OPERATION**OVERHEAD PULL**

1. Always wear gloves and eye protection when working with pullers.
2. Attach proper conduit adaptor (Fig. 23). Screw in and hand-tighten 5/8" adaptor bolt (5).



3. Use manual hand crank on elevation control (21) to manually adjust puller to level horizontal position by turning clockwise or counter clockwise (Fig. 24). The use of an 18-volt drill on low setting with 7/16 nut driver can be used to raise or lower puller to horizontal position. (Fig. 25).

⚠ CAUTION: Drill should be in low gear with clutch engaged to prevent damage to gearing and prevent wrist injury.

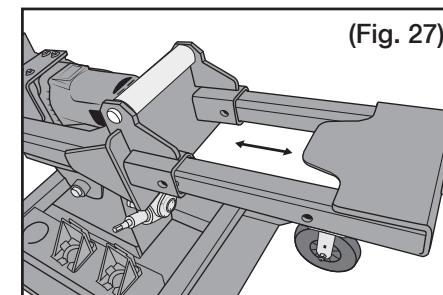
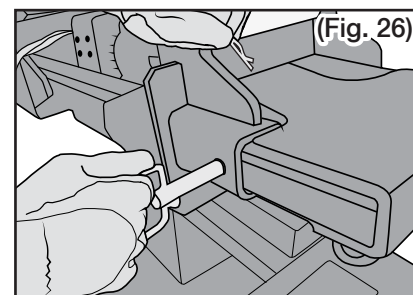


(Fig. 24)

(Fig. 25)

SETUP AND OPERATION**OVERHEAD PULL cont.**

4. Pull Mid-Frame Hitch Pin and pull Mid-Frame (14) out until it is in its fully extended position. Mid-Frame **MUST** be in the full extended position for overhead pulls. (Figs. 26, 27)

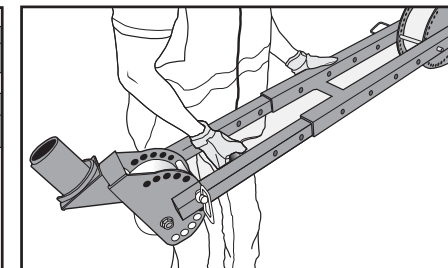
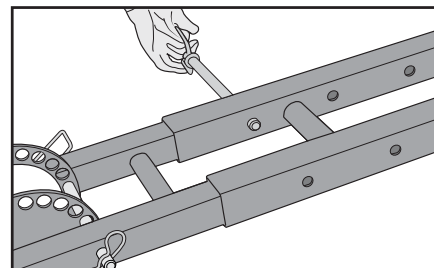


5. Use manual hand crank on elevation control (21) to manually adjust puller to elevated position by turning clockwise. The use of an 18-volt drill on low setting with 7/16 nut driver can be used to raise puller to elevated position.

⚠ CAUTION: Drill should be in low gear with clutch engaged to prevent damage to gearing and prevent wrist injury.

6. Remove front extension (9) by pulling pin (10) and sliding extension outward (Fig. 28) and invert 180 degrees (Fig. 29).

Reinstall with conduit adaptor facing upwards and adjust to proper length by sliding arm extension inward or outward and save pin to reinstall at a later step.

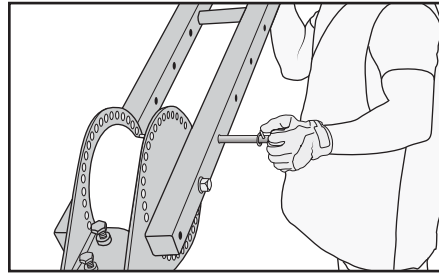


(Fig. 28)

(Fig. 29)

SETUP AND OPERATION**OVERHEAD PULL cont.**

7. Adjust front roller pivot (6) by removing pin and positioning to proper angle saving pin to install at a later step. (Fig 30)

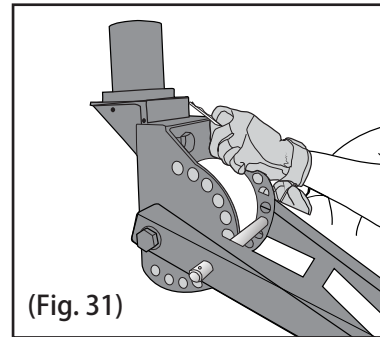


(Fig. 30)

8. Use manual hand crank on elevation control (21) to manually adjust puller to proper position in conduit. The use of 18 volt drill on low setting with 7/16 nut driver can be used to adjust puller position.

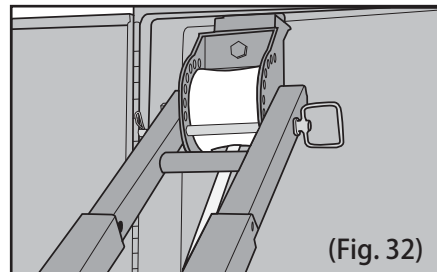
CAUTION: Drill should be in low gear with clutch engaged to prevent damage to gearing and prevent wrist injury.

9. Replace Front Extension Hitch Pin (10) and Front Roller Hitch Pin (8) into desired angle. (Fig. 31)



(Fig. 31)

10. Use manual hand crank on elevation control (21) to lift front end assembly and insert conduit adaptor into conduit or lift higher into panel can (refer to Fig. 8). (Fig.32)

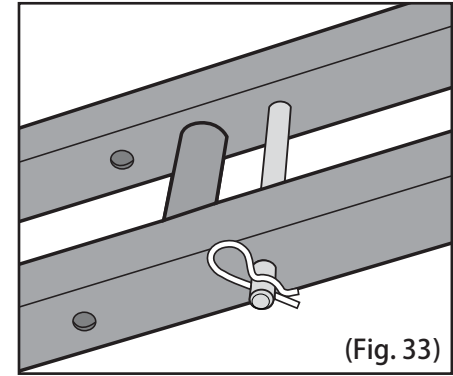


(Fig. 32)

CAUTION: Once conduit adaptor is seated in conduit, use elevation control handle to release tension off puller and elevation control to prevent possible damage to elevation control.

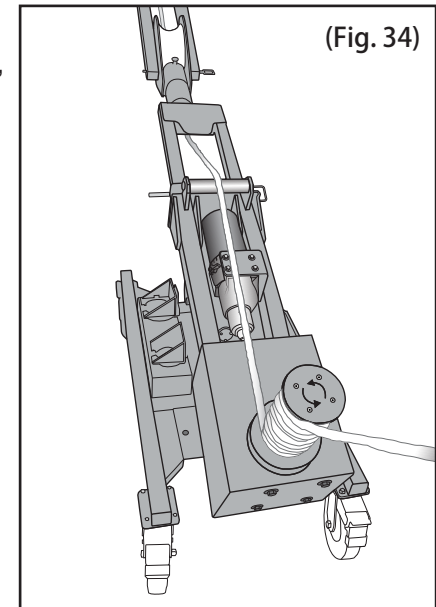
SETUP AND OPERATION**OVERHEAD PULL cont.**

11. Make sure all hitch pins are secure with a locking cotter pin. (Fig. 33)



(Fig. 33)

12. Route rope through conduit adaptor and under front roller (7), then position rope under forward mid-frame roller followed by back mid-frame roller and onto the capstan (19). (Fig. 34).

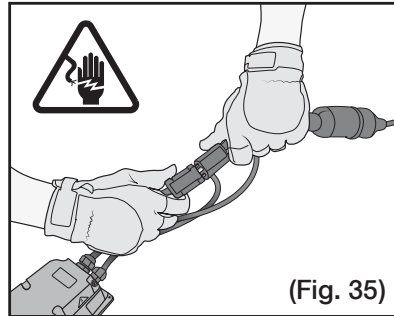


(Fig. 34)

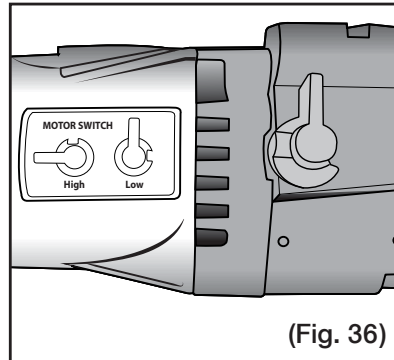
13. Wrap rope around the capstan (19) in a counter-clockwise direction, working from the base of the capstan to top.
14. Do not stand in line (in front or behind) with the rope being pulled (stand to the side of the puller) to avoid injury if the rope breaks.

SETUP AND OPERATION**OVERHEAD PULL cont.**

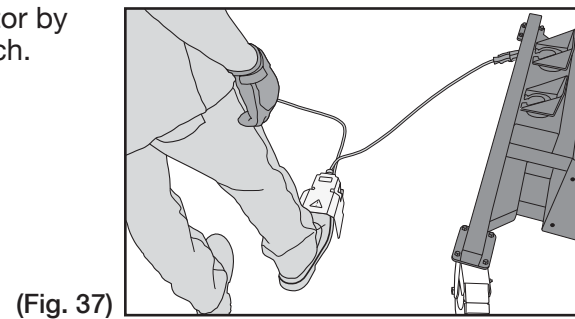
15. Plug puller power cord into pigtail adaptor than plug pigtail adaptor into foot switch and plug into the power source. (Fig. 35)



16. Prior to starting motor insure motor is set on desired gear position using the high/low switch (2). (Fig. 36)



17. Start the electric motor by depressing foot switch. (Fig. 37)



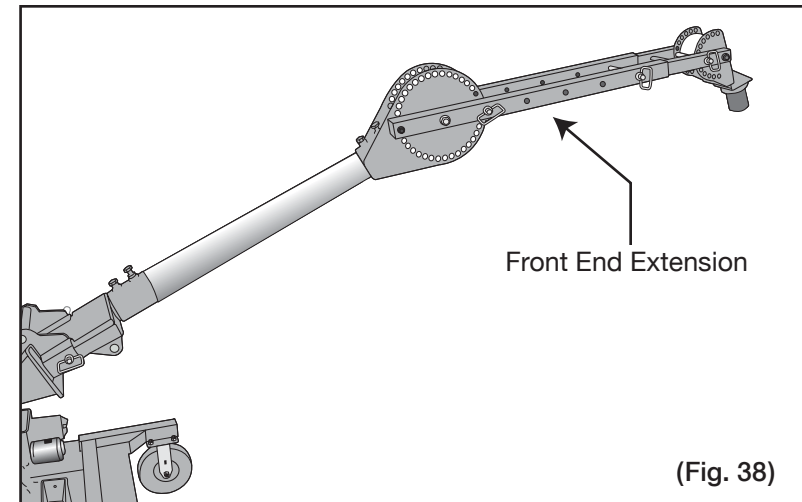
18. Pull on the rope to produce some tension. The rope will begin to advance.

ADDITIONAL HELP**TROUBLE SHOOTING**

1. To add extra length to the Front End Extension, loosen 15/16" bolts from the Cylinder Neck (13) and remove the Cylinder Neck and set aside.

Insert a 3-inch rigid conduit cut to your desired length.

Replace Main Roller (12) at the end of the conduit and firmly tighten all (4) 15/16" bolts. (Fig. 38)

**MAINTENANCE**

- Gearbox is filled with high temperature lubricating grease. No maintenance is required.

ADDITIONAL HELP

SPECIFICATIONS

- **Model # XD10**
- **Stock# 59190402**

Length (folded): 70 inches

Width: 26 inches

Height Folded: 40 inches

Height Extension: 10 feet

Length Extension: 11 feet

Weight: 598 lbs.

Pulling Speed Low:

At 2,000 lbs.	11fpm
At 4,000 lbs.	10fpm
At 6,000 lbs.	9fpm
At 8,000 lbs.	8fpm
At 10,000 lbs.	7fpm

Pulling Speed High:

At 2000 lbs.	21fpm
At 4000 lbs.	18fpm
Recommended Pulling Rope Size:	9/16" QWIKrope™, 7/8" Double-Braided or 1" Double-Braided pulling rope with minimum breaking strength of 30,000 lbs.

WARRANTY ON SOUTHWIRE CONTRACTOR EQUIPMENT

What Does This Warranty Cover?

Five-Year Limited Warranty on Contractor Equipment

Under Southwire's Contractor Equipment 5-Year Limited Warranty, Southwire Company, LLC warrants that all Southwire Contractor Equipment will be free from manufacturer defects for a period of five (5) years from the date of the original end user's purchase. However, electrical components and consumable parts such as ropes, blades, dies, draw studs, grips, are excluded from this 5-Year Limited Warranty and are subject to the One -Year warranty terms. Under this 5-Year Limited Warranty, the following are also excluded and Southwire Company, LLC will have no liability for any of the following: normal wear and tear resulting from product use and damage arising out of misuse, abuse, modification, and improper product maintenance. This warranty also does not cover Southwire Contractor Equipment products that have been modified by any party other than Southwire Company, LLC or its authorized third party designee. This 5-Year Limited Warranty is not transferrable to or enforceable by any person other than the product's original end user.

One-Year Limited Warranty on Electrical Components and Consumable Parts (with 5-Year warranty)

Under Southwire's 1-Year Limited Warranty, Southwire Company, LLC warrants that all electrical components and consumable parts such as ropes, blades, dies, draw studs, grips will be free from manufacturer defects for a period of one-year from the date of the original end user's purchase. Under this 1-Year Limited Warranty, Southwire Company, LLC will have no liability for any of the following: normal wear and tear resulting from product use and damage arising out of misuse, abuse, modification, and improper product maintenance. This warranty also does not cover Southwire electrical components and consumable parts that have been modified by any party other than Southwire Company, LLC or its authorized third party designee. This 1-Year Limited Warranty is not transferrable to or enforceable by any person other than the product's original end user.

Exclusion of Incidental, Consequential, Indirect, Special and Punitive Damages

SOUTHWIRE MAKES NO WARRANTY THAT SOUTHWIRE CONTRACTOR EQUIPMENT PRODUCTS WILL BE MERCHANTABLE OR FIT FOR ANY PARTICULAR PURPOSE. SOUTHWIRE MAKES NO OTHER WARRANTY, EXPRESSED OR IMPLIED, OTHER THAN THE RELEVANT WARRANTY SPECIFICALLY SET FORTH IN THIS WARRANTY SECTION. SOUTHWIRE WILL NOT BE LIABLE FOR ANY INCIDENTAL, CONSEQUENTIAL, INDIRECT, SPECIAL, OR PUNITIVE DAMAGES FOR ANY BREACH OF THIS LIMITED LIFETIME WARRANTY.

Some states do not allow the exclusion or limitation of incidental or consequential damages, so the above limitation or exclusion may not apply to you.

Warranty Claim Information/How Do You Get Service?

For all warranty, customer service, and product return authorizations and inquiries, please contact Southwire's Tools & Assembled Products at:
Southwire Tools & Assembled Products
840 Old Bremen Road
Carrollton, GA, 30117
Phone Number: 1.855.SW.Tools

1. All warranty claims must be approved by Southwire's Tools & Assembled Products Warranty Department prior to return of product. If Southwire determines that a product is defective, Southwire will, at its option, repair or replace defective products or defective product components, free of charge.
2. Upon approval, Southwire will issue a Product Return Authorization Form which will include instructions on how and where to return the product. **The product serial number and the original date of delivery must be set forth on the Product Return Authorization Form.**
3. Southwire will cover standard freight charges (Ground Courier Rate) incurred in connection with products that Southwire ultimately determines to be defective.
4. All defective components and defective products that Southwire replaces under these Warranties will become Southwire's property and will be retained by Southwire.

Repair Your Product When it is Out of Warranty

Southwire is happy to provide information about where a purchaser can send a product for repair at consumers' own expense, please contact 1.855.SW.tools or visit www.southwiretools.com/tools/home.do for more information about servicing for Southwire Products.