



# Southwire™

## FSCC TYPE BOXES

### DOUBLE

#### FEATURES

- Mounting feet enable easy installation
- Accommodates standard covers and accessories
- Surface mounted electrical box that has two conduit entrance hubs in one wall of the box and one hub in the opposite wall

#### APPLICATIONS

- Use for straight line conduit runs, splices and multiple through terminations
- Ideal when additional support is required for stub ups
- Uses double gang electrical device cover

#### STANDARD MATERIAL

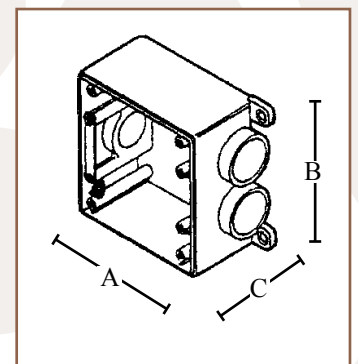
- PVC



1304



PART #	SIZE	MASTER QTY.	WEIGHT/ CASE (LBS.)	A	B	C
1304	1/2"	5	4	4.5625"	4.5625"	2.375"
1305	3/4"	5	4	4.5625"	4.5625"	2.375"
1306	1"	5	3	4.5625	4.5625	2.375



Rev. 0, 06/23

**BUILT FOR DURABILITY.  
BUILT FOR RELIABILITY.  
BUILT FOR WORK.™**

1-855-798-6657 | SOUTHWIRE.COM

©2023 Southwire Company, LLC. All rights reserved.  
\*Registered Trademark & ™Trademark of Southwire Company, LLC.