



Southwire™

ELECTRICAL SUPPORT SYSTEMS

CONDUIT TO T-GRID

PUSH-IN CLIPS

APPLICATION

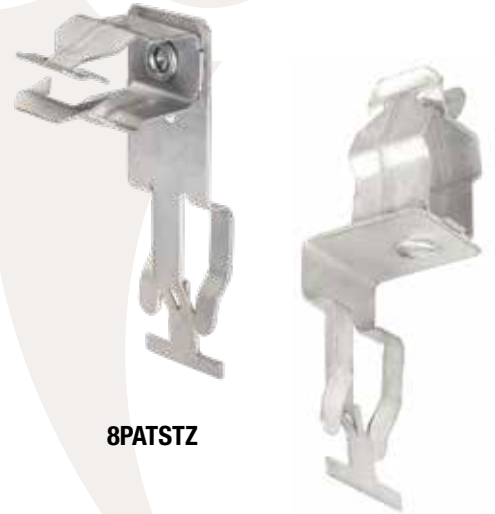
Push-in conduit hangers with T-Grid clip snap on the top edge of acoustical ceiling T-bar grid and provide a means of support for EMT conduit above the ceiling tiles.

FEATURES

- Easy no-tool installation
- 360° rotating clip
- Top and side mounting available
- Attaches conduit or MC/AC cable to T-Grid

MATERIAL/FINISH

Spring Steel/GEOSEAL™

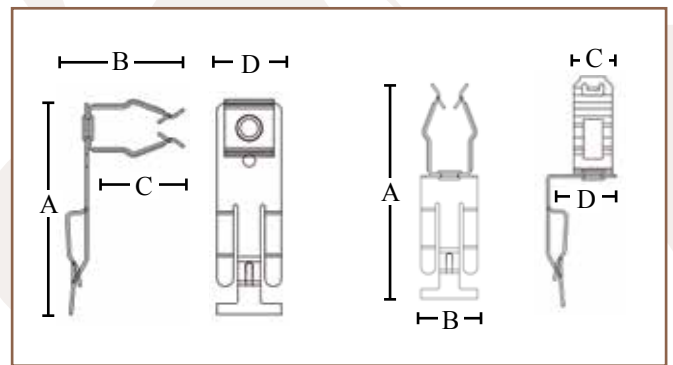


8PATSTZ

CHPT-50



PART #	MOUNTING OPTION	EMT SIZE	A	B	C	D	BOX QTY.
8PATSTZ*	SIDE	1/2"	3.20"	1.74"	1.46"	.984"	100
CHPT-50**	TOP	1/2"	3.71	.984"	.748	1.12"	50
CHPT-75**	TOP	3/4"	3.81	.984"	.748	1.12"	50
CHPT-100**	TOP	1"	4.09	.984"	.748	1.12"	50



No load rating, this item is for component positioning only. Additional support required per NEC 300.11

Rev. 0, 03/23

**BUILT FOR DURABILITY.
BUILT FOR RELIABILITY.
BUILT FOR WORK.™**

1-855-798-6657 | SOUTHWIRE.COM

©2023 Southwire Company, LLC. All rights reserved.
*Registered Trademark & ™Trademark of Southwire Company, LLC.