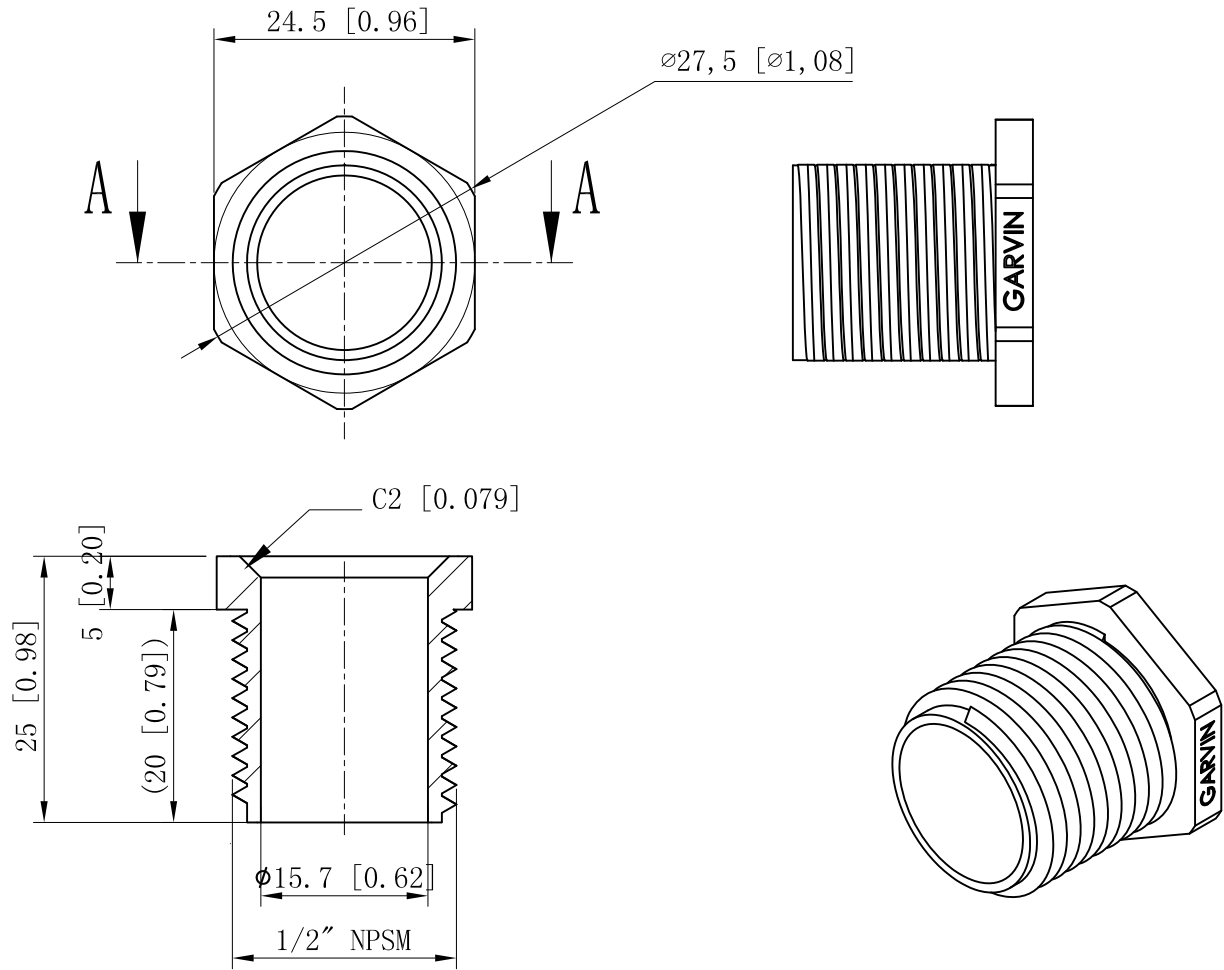


SIDES	BOTTOM
Material:Steel-#3 ZAMAK Zinc Plated	



CUTAWAY VIEW A-A

This data sheet is for reference only .GARVIN INDUSTRIES reserves the right to make changes to the design without prior notice.

DESCRIPTION
TRADE REFERENCE TERMS

STANDARD PACKING	<h1>GARVIN INDUSTRIES</h1>		
250 PCS			
TITLE	CHASE NIPPLE 1/2' WITH 3/4' THREAD		
SIZE	DWG NO.		REV
A4	CHN-50100		
DATA SHEET			
www.garvinindustries.com			