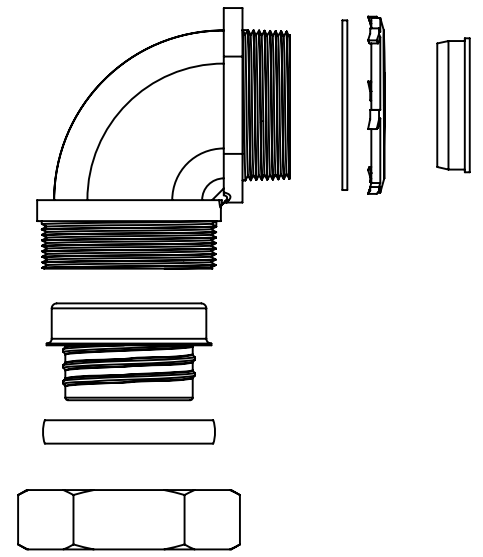
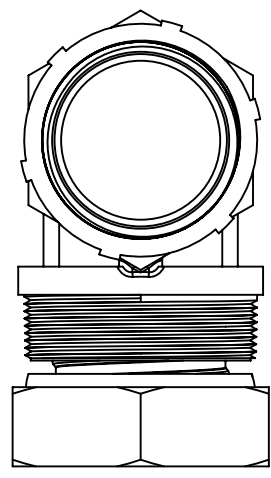
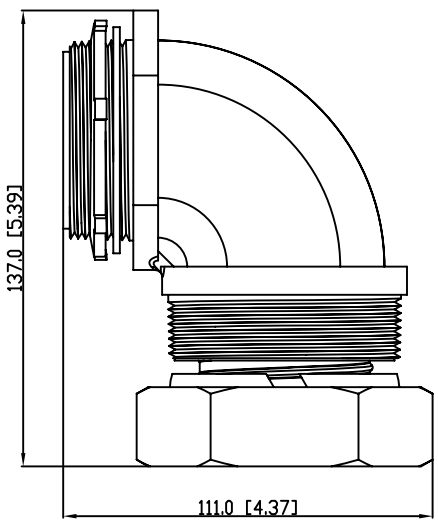
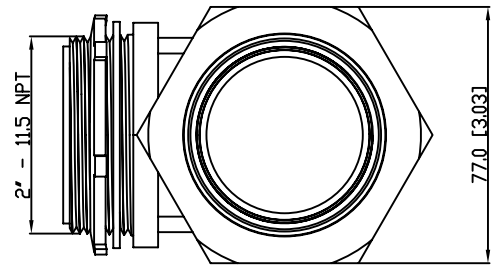


SIDES	BOTTOM
Material: MALLEABLE-IRON	



DESCRIPTION
TRADE REFERENCE TERMS

This data sheet is for reference only .GARVIN INDUSTRIES reserv the right to make changes to the design without prior notice.

STANDARD PACKING	<h1 style="text-align: center;">GARVIN INDUSTRIES</h1>			
5 PCS				TITLE
	SIZE	DWG NO.	REV	
	A4	DS-LTC-20090	A	