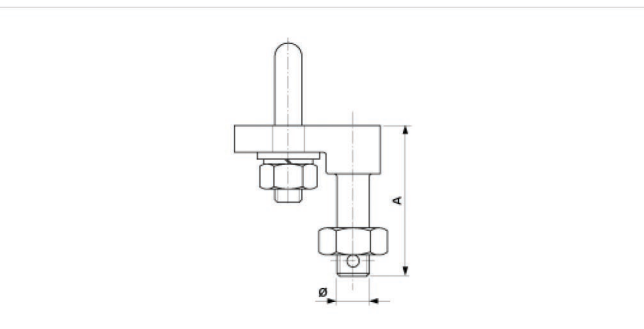


## Set up clamp for pipe G0.5" or $\varnothing = 22$ mm

Item number D1281-01



### Dimensions

A: 46 mm  
 $\varnothing$ : M12

### Material and weight

Material: GTW HDG  
Weight: 0.340 kg



**Southwire**<sup>™</sup>



A COLAS RAIL COMPANY

Contact Us: [Transit@southwire.com](mailto:Transit@southwire.com)