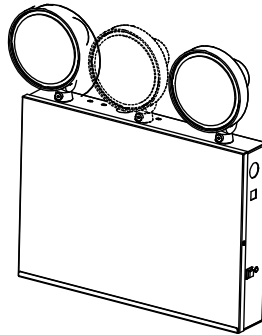




LED EMERGENCY LIGHTING INSTALLATION INSTRUCTIONS

Items: EL2/LED/WH-NYC & EL3/LED/WH-NYC

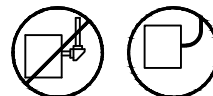


IMPORTANT SAFEGUARDS READ AND FOLLOW ALL SAFETY INSTRUCTIONS

1. Review instruction sheet before beginning installation.
2. All electrical connections must be in accordance with local codes, ordinances, and the National Electric code.
3. Disconnect power at fuse or circuit breaker before installing or servicing.
4. Not for outdoor use.
5. Do not mount in hazardous locations, or near gas or electric heaters.
6. Do not let power cords touch sharp or hot surface.
7. Equipment should be mounted in locations and at heights where it will not be subjected to tampering by unauthorized personnel.
8. The use of accessory equipment not recommend by the manufacturer may cause an unsafe condition.
9. Do not use this equipment for other than intended use.
10. All servicing should be performed by a qualified electrician only.
11. Allow battery to charge for 24 hours before first use.

SAVE THESE INSTRUCTIONS

Use Flexible Conduit Only



MAINTENANCE

None required. Replace the batteries as needed according to ambient conditions. However, we recommend that the equipment be tested regularly in accordance with local codes.

OPERATION

Press the test button. The LED heads will turn on and the LED indicator will turn off. Release the test switch, LED indicator will turn on and the LED heads will turn off.

TROUBLESHOOTING GUIDE

If LED heads or LED indicator does not illuminate, check the following:

1. Check AC supply - verify that unit has 24 hours AC supply.
2. Unit is shorted or battery is not connected.
3. Battery discharge. Permit unit to charge for 24 hours then re-test.
4. If above trouble shooting hints do not solve you problem, contact factory for assistance.

Page 1 of 2



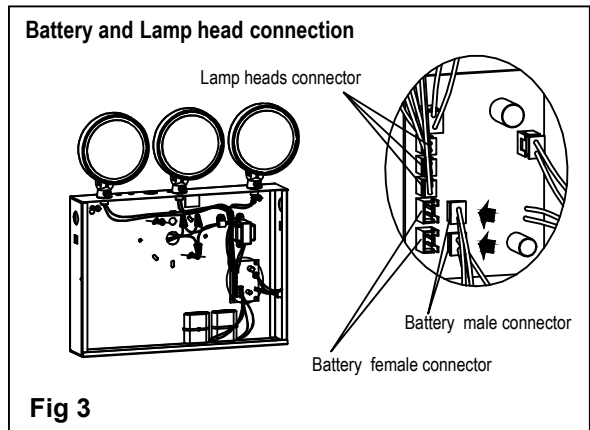
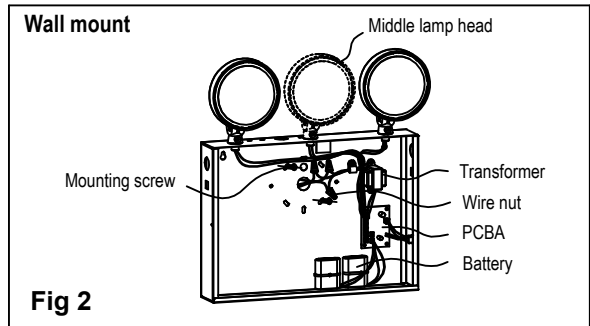
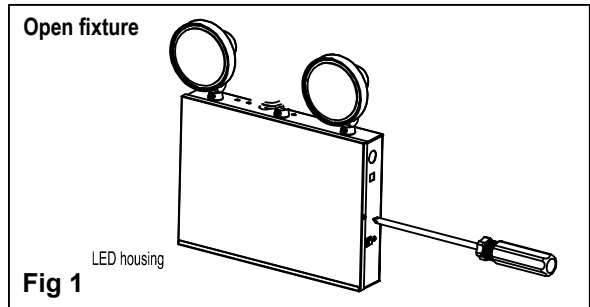
LED EMERGENCY LIGHTING INSTALLATION INSTRUCTIONS

Items: EL2/LED/WH-NYC & EL3/LED/WH-NYC

Mounting Instructions

Wall Mount

1. Remove front cover using screwdriver (see Fig 1).
2. Assemble center lamp head provided if fixture have this option, make proper center lamp head connection (see Fig 2).
3. Determine appropriate mounting holes will be used, then punch out proper K/O's from the K/O pattern on the back plate of the housing.
4. Feed AC supply leads through the center hole on the housing, Mount fixture to the J-Box using the (2) 1" long 8-32 screws (see Fig 2).
5. Make proper electricals connection, black lead is for 120V, red lead is for 277V, white lead is NEUTRAL, green lead is for ground, cap unused lead (see Fig 4). Secure excess wire inside J-Box.
6. Connect Battery connector to PC board (see Fig 3).
7. Restore Face plate with screws.
8. Restore power and press test button. LED heads will turn on.
9. Adjust the lamp heads direction as per needs.



Wiring Diagram

Connect the J-box wires to the power supply wires using the wire nuts provided.
 Connect the white wire to neutral.
 If using 120V, connect the black wire to the hot lead.
 If using 277V, connect the orange wire to the hot lead.
 Cap the unused lead.

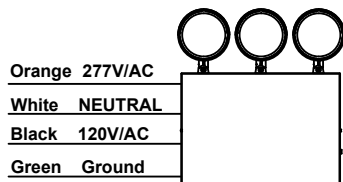


Fig 4

Fig 3