

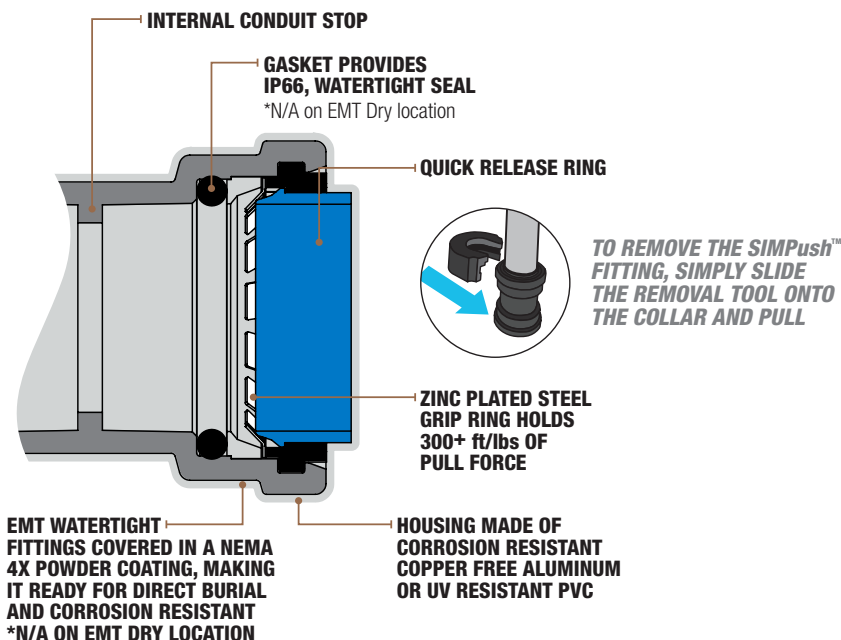
EMT LR BODIES

1/2" – 2"

Southwire® SIMPush™ EMT conduit bodies are used as junction or pull boxes and are usually installed in an EMT conduit system to facilitate a change in direction.

FEATURES:

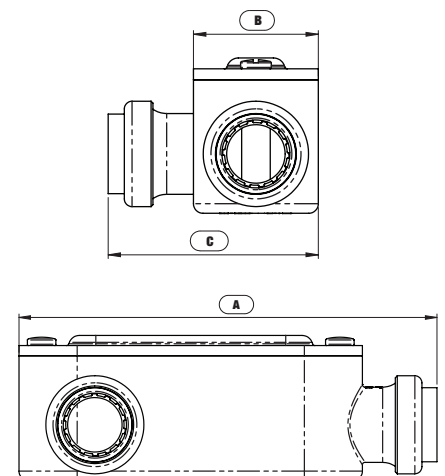
- Corrosion-resistant copper-free diecast aluminum construction
- Provides continuous ground
- Internally coated with lubricating grease
- Tested to 100 removal cycles for reuse
- Locking teeth are constructed from zinc-plated steel
- Body door is domed aluminum construction with zinc-plated steel screws



CERTIFICATIONS/RATINGS:
E-FILE #: E474806



DFTLR050, DFTLR075, DFTLR100,
DFTLR125, DFTLR150, DFTLR200



Stock #	Model #	Trade Size	Quantity Per Box	H (in.) A	W (in.) B	L (in.) C	Associated Removal Tool Model #	Removal Tool Included
CONTRACTOR PACK								
65074602	E-LR-050W	1/2"	8	4.67	1.659	2.165	E-RT-1P	-
65074802	E-LR-075W	3/4"	6	5.505	1.899	2.487	E-RT-1P	-
65074902	E-LR-100W	1"	4	6.116	2.159	2.748	E-RT-P2	-
65075002	E-LR-125W	1-1/4"	4	8.064	3.109	3.589	E-RT-P2	-
65075102	E-LR-150W	1-1/2"	3	8.335	3.109	4.01	E-RT-P3	-
65075202	E-LR-200W	2"	1	10.756	3.669	4.964	E-RT-P3	-

Project Name:
Contractor:
Address: