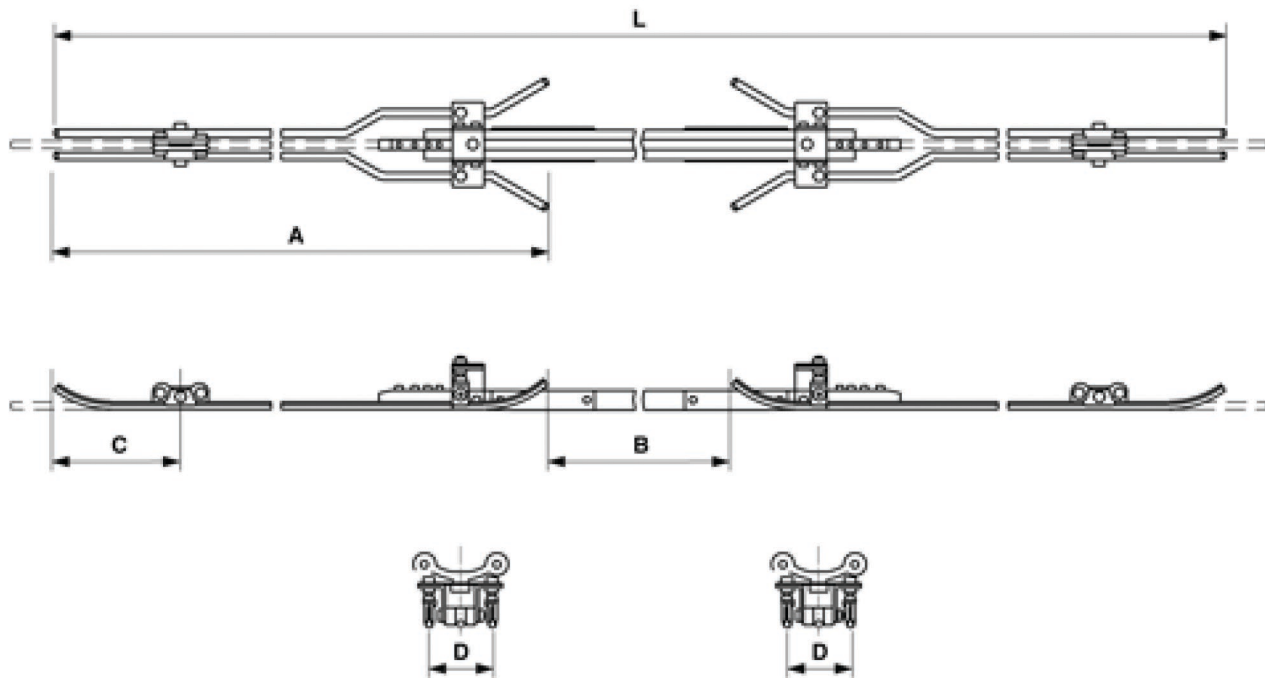


Section insulator TW 1500 V, for 1 c.w., central practicable insulation bar

Item number B1170-02



Dimensions

length: 2600 mm
width: 205 mm
height: 120 mm
length between the contact line: 840 mm
width of suspension above eyes: 116 mm
length of suspension above eyes: 775 mm

Material and weight

material: INOX / GFK / PA / BZ / ST tzn
weight: 11.3 kg

Loads

service load: 37 kN

Function

For the electrical separation of adjacent contact line sections.

Specification

contact-wire cross-section: 107 mm²
kerf width: 6.8 mm
creepage distances: 657 mm
arcing horn distance: 508 mm
operating voltage: 1500 V DC

Comments

- For grooved contact wire 4/0 AWG (Groove width)



Southwire™



A COLAS RAIL COMPANY

Contact Us: Transit@southwire.com