



Southwire™

FDC TYPE BOXES

SINGLE

FEATURES

- Surface mounted electrical box with grounding lug has one conduit entrance hub in each of the two short walls of the box

APPLICATIONS

- Use for straight line conduit runs and splices
- Uses single gang electrical device cover

STANDARD MATERIAL

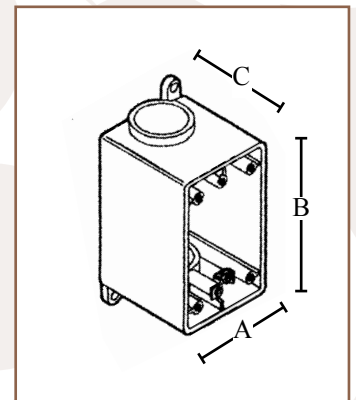
- PVC



1307



PART #	SIZE	MASTER QTY.	WEIGHT/ CASE (LBS.)	A	B	C
1307	1/2"	10	6	2.875"	4.5625"	3"
1308	3/4"	10	6	2.875"	4.5625"	3"
1309	1"	10	5	2.875"	4.5625"	3"



Rev. 0, 06/23

**BUILT FOR DURABILITY.
BUILT FOR RELIABILITY.
BUILT FOR WORK.™**

1-855-798-6657 | SOUTHWIRE.COM

©2023 Southwire Company, LLC. All rights reserved.
*Registered Trademark & ™Trademark of Southwire Company, LLC.